

### Seametrics EX800-Series Insertion Flow Sensors

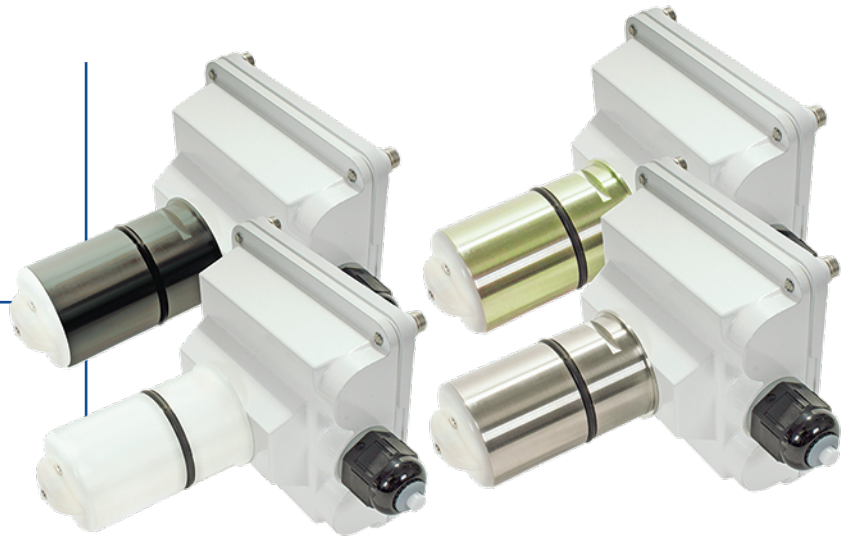
EX800-Series insertion electromagnetic flow sensors are fixed depth meters suitable for installations with a wide range of temperature, pressure, and environments that are corrosive or with debris. They are designed for use in conductive liquids and can be installed in 1 inch to 12 inch pipe. EX800 are compatible with external controllers or directly mounted to a FT430 or FT440 Seametrics display. Select from a variety of tee-fittings that match installation pipe materials.

#### FEATURES

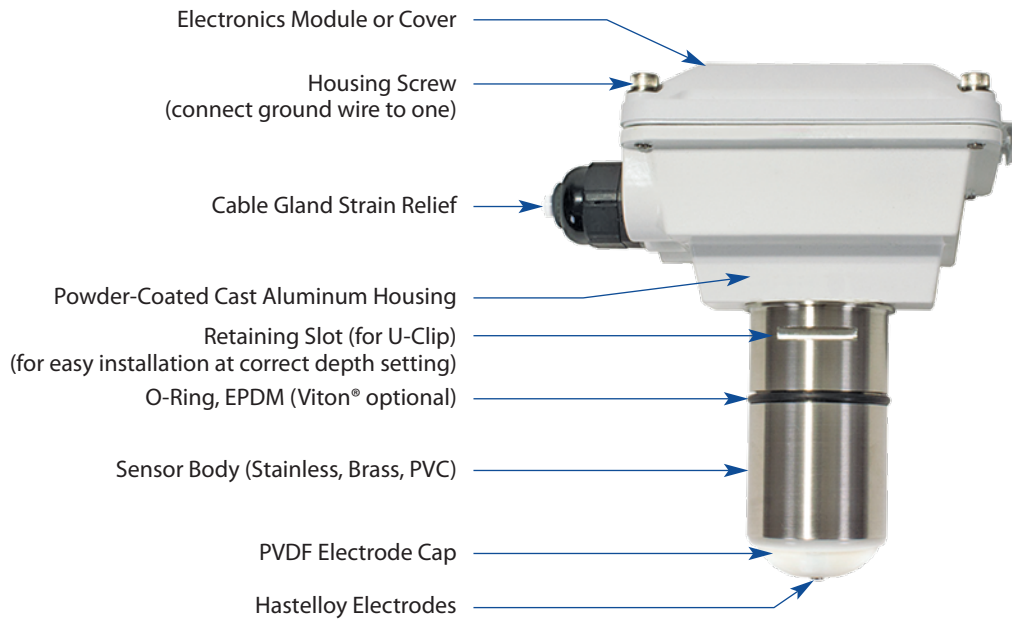
- Economical
- 18% insertion depth
- No moving parts
- East to install
- Easy to maintain
- Durable
- IP rating based on mounted display

#### APPLICATIONS

- Industrial processes
- Chemical metering
- Irrigation



#### COMPONENT FEATURES



**CALL GEOTECH TODAY (800) 833-7958**

**Geotech Environmental Equipment, Inc.**

2650 East 40th Avenue • Denver, Colorado 80205

(303) 320-4764 • FAX (303) 322-7242

email: sales@geotechenv.com • website: www.geotechenv.com

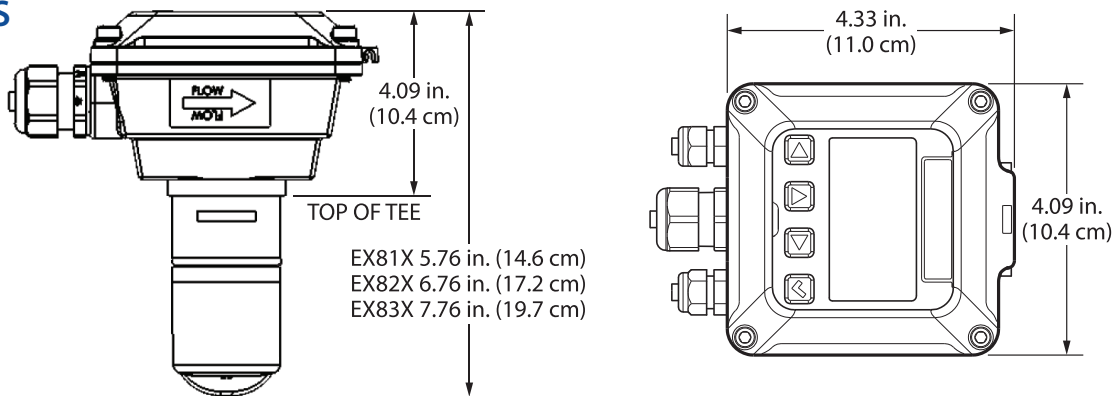
## Seametrics EX800-Series Insertion Flow Sensors

### SPECIFICATIONS\*

<b>Pipe Size</b>	1" to 12"	
<b>Power</b>	<b>Full Power:</b> 12-24 VDC, 250mA	<b>Low Power:</b> 12-24 VDC, 40mA average with 250mA peaks
<b>Materials</b>	<b>Housing</b> <b>Sensor Body</b> <b>O-Ring</b> <b>Electrodes</b> <b>Electrode Cap</b>	Powder-coated cast aluminum 316 Stainless Steel, Brass, or PVC EPDM (Viton® optional) Hastelloy PVDF (Kynar®)
<b>Maximum Pressure</b>	<b>Brass/Stainless Steel</b>	<b>PVC</b>
	200 psi (14 bar)	150 psi (10 bar) @ 75°F (24°C)
<b>Temperature</b>	<b>Ambient</b> <b>Fluid</b>	0° to 160°F (-17° to 72°C) 32° to 200°F (0° to 93°C)
<b>Minimum Conductivity</b>	20 microSiemens/cm	
<b>Flow Velocity</b>	0.28 to 20 ft./sec. (0.08 to 6.09 m/sec)	
<b>Accuracy</b>	±1% of full scale	
<b>Output</b>	Square wave pulse, opto-isolated, 500 Hz @ 20 ft./sec. 6 mA max, 30 VDC forward flow standard; reverse flow optional	
<b>Empty Pipe Detection</b>	Software, defaults to zero flow	
<b>Cable</b>	Standard 18' (6m), #22 shielded twisted pair, 4-conn. Max. cable run at 24 VDC = 1000' (300m); at 12 VDC = 500' (150m). For other circumstances, contact Geotech.	
<b>Environmental</b>	See meter mounted electronic specification for rating.	
<b>Regulatory</b>	CE Mark (applies to full power sensor only configuration and full power FT 430/440 mounted configurations)	

\*Specifications subject to change • Please consult our website for current data ([www.geotechenv.com](http://www.geotechenv.com)).  
Kynar is a registered trademark of Arkema, Inc., Viton is a registered trademark of DuPont Corporation.

### DIMENSIONS



### FLOW RANGE

Nominal Pipe Size	1"	1½"	2"	3"	4"	6"	8"	10"	12"
Min GPM	.69	1.5	2.7	6.2	11	25	43	68	99
Min LPM	2.6	5.6	10.2	23.4	41	94	162	257	374
Max GPM	49	110	196	440	783	1760	3130	4900	7050
Max LPM	185	416	741	1665	2963	6662	11848	18548	26687

### HOW TO ORDER

	Description	Size	Sensor Material	Options
<b>Sensor Only</b>	Externally powered (12-24 VDC) sensor only.	1"-3" = EX810 4"-10" = EX820 12" = EX830	Brass = B 316 Stainless = S PVC = P	Reverse Flow Output = -15 Immersible = -40* Low Power Option = -50 Viton® O-Ring = -125
<b>FT430 Mounted on Sensor</b>	Externally powered sensor (12-24 VDC) with FT430 rate and total indicator (with pulse outputs) mounted on the sensor.	1"-3" = EX813 4"-10" = EX823 12" = EX833	Brass = B 316 Stainless = S PVC = P	Reverse Flow Output = -15 Tamper Evident Kit = -32 Low Power Option = -50 Non-resettable Total = -64 Dual Relay Output = -98 Viton® O-Ring = -125 Hinged Display Cover = -126
<b>DL76 Mounted on Sensor</b>	Externally powered sensor (12-24 VDC) with self powered DL76 data logger mounted on the sensor.	1"-3" = EX816 4"-10" = EX826 12" = EX836	Brass = B 316 Stainless = S PVC = P	Reverse Flow Output = -15 Tamper Evident Kit = -32 Low Power Option = -50 Viton® O-Ring = -125
<b>FT440 Mounted on Sensor<sup>1</sup></b>	Externally powered sensor (12-24 VDC) with FT440 rate and total indicator (with pulse and 4-20mA outputs) mounted on the sensor.	1"-3" = EX819 4"-10" = EX829 12" = EX839	Brass = B 316 Stainless = S PVC = P	Reverse Flow Output = -15 Tamper Evident Kit = -32 Low Power Option = -50 Non-resettable Total = -64 Dual Relay Output = -98 Viton® O-Ring = -125 Hinged Display Cover = -126

\* Immersible to maximum of 3 ft. (1m), up to 2 weeks

<sup>1</sup> When ordering an EX with an FT440 mounted, the EX sensor cannot be loop powered.

**CALL GEOTECH TODAY**

**(800) 833-7958**

**Geotech Environmental Equipment, Inc.**

2650 East 40th Avenue • Denver, Colorado 80205

(303) 320-4764 • FAX (303) 322-7242

email: sales@geotechenv.com • website: www.geotechenv.com