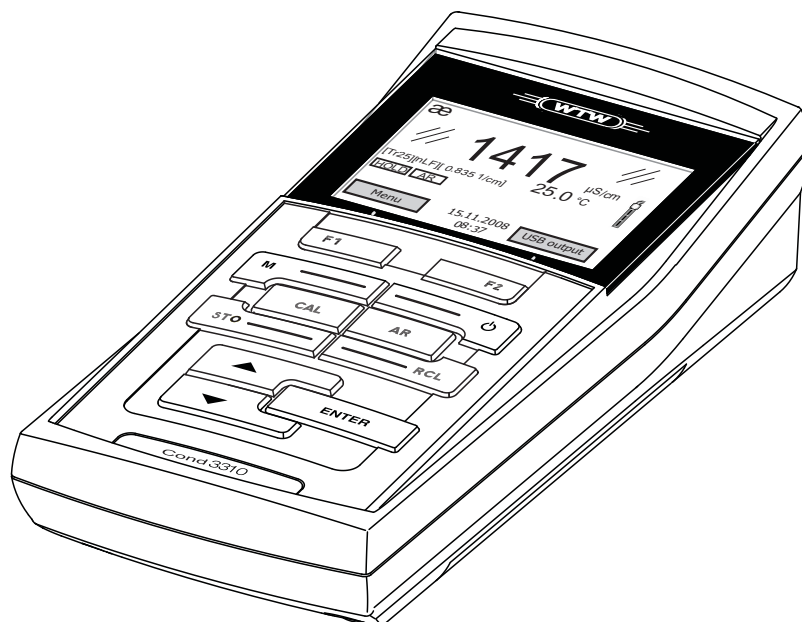


Cond 3310



Conductivity meter

**Accuracy when
going to press**

The use of advanced technology and the high quality standard of our instruments are the result of a continuous development. This may result in differences between this operating manual and your meter. Also, we cannot guarantee that there are absolutely no errors in this manual. Therefore, we are sure you will understand that we cannot accept any legal claims resulting from the data, figures or descriptions.

Copyright

© Weilheim 2009, WTW GmbH
Reproduction in whole - or even in part - is prohibited without the express written permission of WTW GmbH, Weilheim.
Printed in Germany.

Cond 3310 - Contents

1	Overview	5
1.1	Keypad	6
1.2	Display	7
1.3	Socket field	8
2	Safety	9
2.1	Authorized use	10
2.2	General safety instructions	10
3	Commissioning	13
3.1	Scope of delivery	13
3.2	Initial commissioning	13
3.2.1	Inserting the batteries	13
3.2.2	Switching on the meter	14
3.2.3	Setting the date and time	14
4	Operation	15
4.1	Switching on the meter	15
4.2	General operating principles	16
4.2.1	Operating modes	16
4.2.2	Navigation	17
4.2.3	Example 1 on navigation: Setting the language	19
4.2.4	Example 2 on navigation: Setting the date and time	22
4.3	Sensor-independent settings	24
4.3.1	<i>System</i>	24
4.3.2	<i>Data storage</i>	25
4.3.3	<i>Automatic Stability control</i>	26
4.4	Conductivity	27
4.4.1	General information	27
4.4.2	Measuring	28
4.4.3	Temperature compensation	30
4.4.4	Settings for conductivity measuring cells	31
4.4.5	Determining the cell constant (calibration in control standard)	34
4.4.6	Displaying calibration records	36
4.5	Data storage	37
4.5.1	Manual storage	38
4.5.2	Automatic storage at intervals	39

4.5.3	Displaying and editing the measurement data storage	42
4.5.4	Erasing the measurement data storage	43
4.5.5	Displaying the calibration data storage	44
4.6	Transmitting data (USB interface)	45
4.6.1	Options for data transmission	45
4.6.2	Connecting a PC	46
4.7	Reset	47
4.7.1	Resetting the measurement settings	47
4.7.2	Resetting the system settings	48
5	Maintenance, cleaning, disposal	49
5.1	Maintenance	49
5.1.1	Replacing the batteries	49
5.2	Cleaning	50
5.3	Packing	50
5.4	Disposal	50
6	What to do if...	51
7	Technical data	53
7.1	General data	53
7.2	Measuring ranges, resolution, accuracy	54
8	Lists	57
	Appendix: Firmware update	61

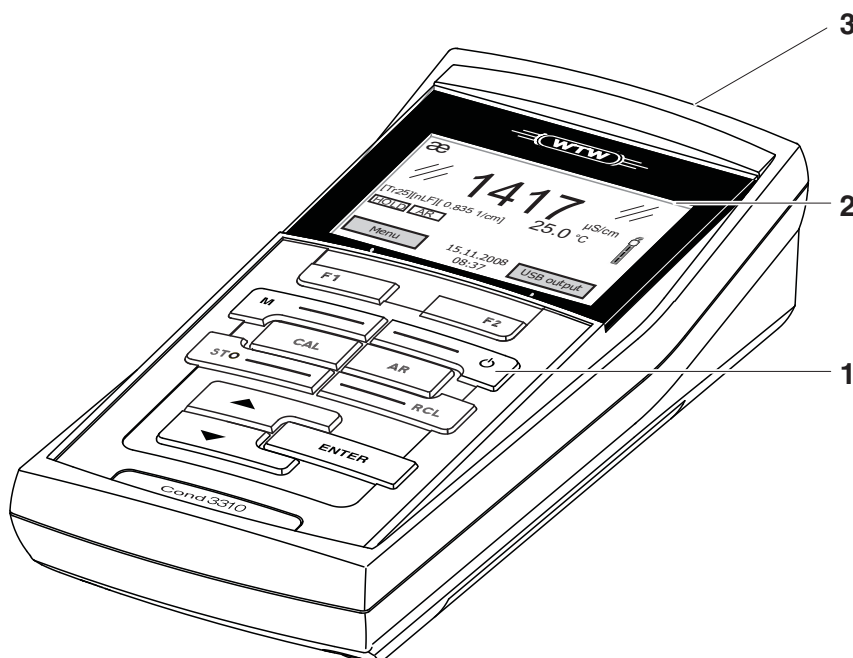
1 Overview

The Cond 3310 compact precision conductivity meter enables you to perform conductivity measurements quickly and reliably.

The Cond 3310 provides the maximum degree of operating comfort, reliability and measuring certainty for all applications.

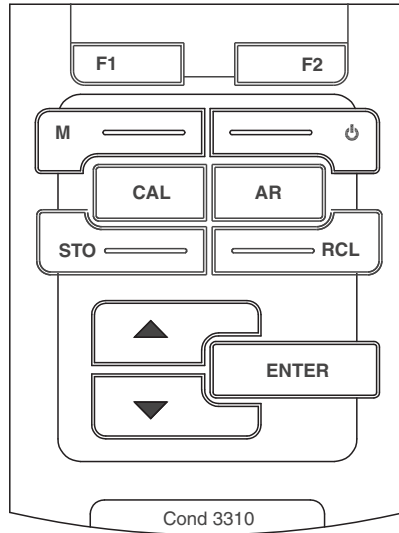
The proven procedures for determining or adjusting the cell constant support your work with the conductivity meter.

The USB interface can be used for data transmission to a PC and for software updates of the meter.



1	Keypad
2	Sample display
3	Socket field

1.1 Keypad

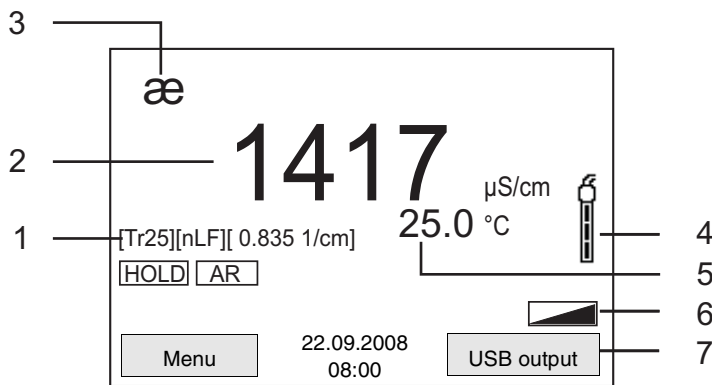


In this operating manual, keys are indicated by brackets <...> . The key symbol (e.g. <ENTER>) generally indicates a short keystroke (under 2 sec) in this operating manual. A long keystroke (approx. 2 sec) is indicated by the underscore behind the key symbol (e.g. <ENTER__>).

	<F1>:	Softkeys providing situation dependent functions, e.g.: <F1>/[Menu]: Opens the menu for measurement settings <F1__>/[Menu]: Opens the menu for system settings
	<F1__>:	
	<F2>:	
	<F2__>:	
	<On/Off>:	Switches the meter on or off
	<M>:	Selects the measured parameter
	<CAL>:	Calls up the calibration procedure Displays the calibration data
	<CAL__>:	
	<STO>:	Saves a measured value manually Opens the menu for the automatic save function
	<STO__>:	
	<RCL>:	Displays the manually stored measured values Displays the automatically stored measured values
	<RCL__>:	
	<▲>:	Increments values, scrolls
	<▼>:	Decrements values, scrolls

ENTER	<p><ENTER>: Opens the menu for measurement settings / confirms entries</p> <p><ENTER__>: Opens the menu for system settings</p>
AR	<p><AR> Freezes the measured value (HOLD function) Switches the AutoRead measurement on or off</p>

1.2 Display

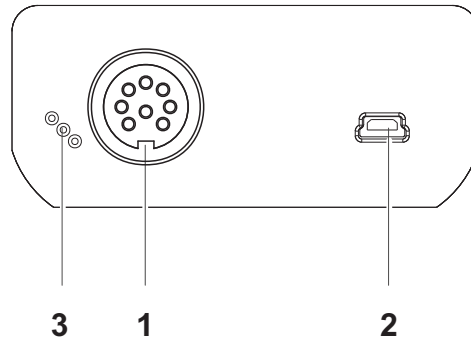


1	Status information
2	Measured value (with unit)
3	Measured parameter
4	Sensor symbol (calibration evaluation, calibration interval)
5	Measured temperature (with unit)
6	Status line
7	Softkeys and date + time

Function display indicators

Error	An error occurred during calibration
AR	Stability control (AutoRead) is active
HOLD	Measured value is frozen (<AR> key)

1.3 Socket field



Connectors:

1	Conductivity measuring cell
2	USB B (device) interface
3	Service interface



Caution

Only connect measuring cells to the meter that cannot return any voltages or currents that are not allowed (> SELV and > current circuit with current limiting).

Almost all customary measuring cells fulfill these conditions.

2 Safety

This operating manual contains basic instructions that you must follow during the commissioning, operation and maintenance of the meter. Consequently, all responsible personnel must read this operating manual before working with the meter.

The operating manual must always be available within the vicinity of the meter.

Target group

The meter was developed for work in the field and in the laboratory. Thus, we assume that, as a result of their professional training and experience, the operators will know the necessary safety precautions to take when handling chemicals.

Safety instructions

Safety instructions in this operating manual are indicated by the warning symbol (triangle) in the left column. The signal word (e.g. "Caution") indicates the level of danger:



Warning

indicates instructions that must be followed precisely in order to avoid possibly great dangers to personnel.



Caution

indicates instructions that must be followed precisely in order to avoid the possibility of slight injuries or damage to the meter or the environment.

Further notes



Note

indicates notes that draw your attention to special features.



Note

indicates cross-references to other documents, e.g. operating manuals.

2.1 Authorized use

Authorized use of the meter consists exclusively of the measurement of conductivity, resistivity, salinity, TDS (total dissolved solids) and temperature in a laboratory or field environment.

The technical specifications as given in chapter 7 TECHNICAL DATA must be observed. Only the operation and running of the meter according to the instructions given in this operating manual is authorized.

Any other use is considered **unauthorized**.

2.2 General safety instructions

This meter is constructed and tested in compliance with the IEC 1010 safety regulations for electronic measuring instruments.

It left the factory in a safe and secure technical condition.

Function and operational safety

The smooth functioning and operational safety of the meter can only be guaranteed if the generally applicable safety measures and the specific safety instructions in this operating manual are followed during operation.

The smooth functioning and operational safety of the meter can only be guaranteed under the environmental conditions that are specified in chapter 7 TECHNICAL DATA.

If the meter was transported from a cold environment to a warm environment, the formation of condensate can lead to the faulty functioning of the meter. In this event, wait until the temperature of the meter reaches room temperature before putting the meter back into operation.

Caution

The meter is only allowed to be opened by authorized personnel.



Safe operation

If safe operation is no longer possible, the meter must be taken out of service and secured against inadvertent operation!

Safe operation is no longer possible if the meter:

- has been damaged in transport
- has been stored under adverse conditions for a lengthy period of time
- is visibly damaged
- no longer operates as described in this manual.

If you are in any doubt, please contact the supplier of the meter.

Obligations of the purchaser

The purchaser of this meter must ensure that the following laws and guidelines are observed when using dangerous substances:

- EEC directives for protective labor legislation
- National protective labor legislation
- Safety regulations
- Safety datasheets of the chemical manufacturers.

**Caution**

In addition to the safety instructions mentioned here, also follow the safety instructions of the sensors used.

The operating manuals of the sensors are available on the supplied CD and on the Internet under www.WTW.com.

3 Commissioning

3.1 Scope of delivery

- Conductivity meter Cond 3310
- 4 batteries 1.5 V Mignon type AA
- USB cable
- Short instructions
- CD-ROM with detailed operating manual

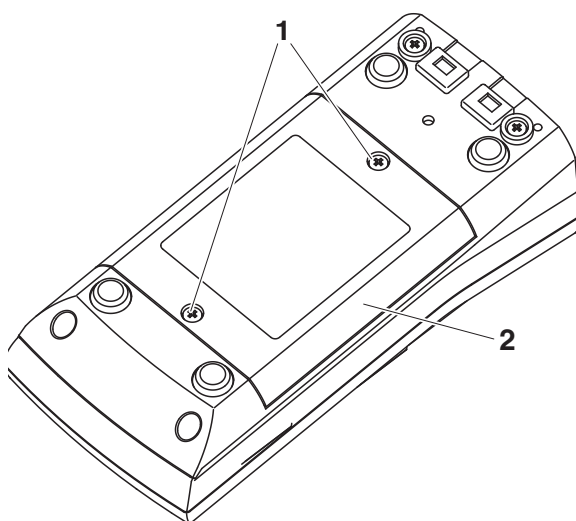
3.2 Initial commissioning

Perform the following activities:

- Insert the supplied batteries
- Switch on the meter
- Set the date and time

3.2.1 Inserting the batteries

1	Unscrew the two screws (1) on the underside of the meter.
2	Open the battery compartment (2) on the underside of the meter.



3	Place four batteries (type Mignon AA) in the battery compartment.
---	---

**Note**

Alternatively, you can also use Ni-MH rechargeable batteries (type Mignon AA). In order to charge the batteries, an external charging device is required.

**Caution**

Make sure that the poles of the batteries are positioned correctly. The \pm signs on the batteries must correspond to the \pm signs in the battery compartment.

- 4 Close the battery compartment (2) and tighten the screws (1).

3.2.2 Switching on the meter

- 1 Press the **<On/Off>** key.
The meter performs a self-test.
The display shows the manufacturer's logo while the self-test is being performed.
Subsequently, the meter switches to the measuring mode (measured value display).

**Note**

The meter has an energy saving feature to avoid unnecessary battery depletion.

The energy saving feature switches off the measuring instrument if no key is pressed during the adjusted interval. (How to set the switch-off interval, see section 4.3.1).

3.2.3 Setting the date and time

- 2 See section 4.2.4

4 Operation

4.1 Switching on the meter

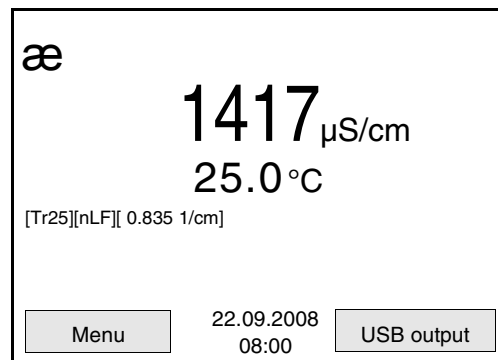
Switching on

Press the <On/Off> key.

The meter performs a self-test.

The display shows the manufacturer's logo while the self-test is being performed.

The measured value display appears.



Switching off

Press the <On/Off> key.

Automatic switch-off

The instrument has an automatic switch-off function in order to save the batteries (see section 4.3.1). The automatic switch-off switches off the measuring instrument if no key is pressed for an adjustable period.

The automatic switch-off is not active

- if the communication cable is connected
- if the *Automatic data storage* function is active, or with automatic data transmission

Display illumination

The meter automatically switches off the display illumination if no key is pressed for 15 seconds. The illumination is switched on with the next keystroke again.

You can also generally switch the display illumination on or off (see section 4.3.1).

4.2 General operating principles

This section contains basic information on the operation of the Cond 3310.

Operating elements, display

An overview of the operating elements and the display is given in section 1.1 and section 1.2.

Operating modes, navigation

An overview of the operating modes and navigation of the Cond 3310 is given in section 4.2.1 and section 4.2.2.

4.2.1 Operating modes

The meter has the following operating modes:

- Measuring
The measurement data of the connected sensor is shown in the measured value display
- Calibration
The course of a calibration with calibration information, functions and settings is displayed
- Storage
The meter stores measuring data manually or automatically
- Transmitting data
The measuring instrument transmits measuring data and calibration records to the USB interface automatically or manually.
- Setting
The system menu or a sensor menu with submenus, settings and functions is displayed

4.2.2 Navigation

Measured value display

In the measured value display, you can

- Open the respective measuring menu with <F1> (short keystroke).
- Open the *Storage & config* menu with the sensor-independent settings by pressing <F1__> (long keystroke, approx. 2 s).
- Change the display in the measurement window by pressing <M> (e.g. conductivity -> resistivity -> -> ->).

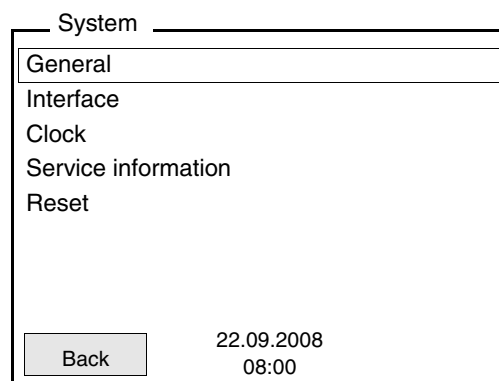
Menus and dialogs

The menus for settings and dialogs in procedures contain further submenus. The selection is made with the <▲><▼> keys. The current selection is displayed with a frame.

- Submenus

The name of the submenu is displayed at the upper edge of the frame. Submenus are opened by confirming with <ENTER>.

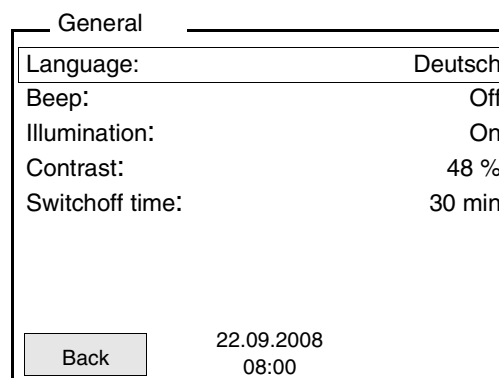
Example:



- Settings

Settings are indicated by a colon. The current setting is displayed on the right-hand side. The setting mode is opened with <ENTER>.

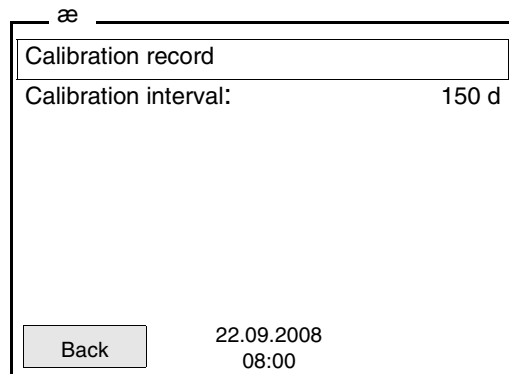
Subsequently, the setting can be changed with <▲><▼> and <ENTER>. Example:



- **Functions**

Functions are designated by the name of the function. They are immediately carried out by confirming with **<ENTER>**.

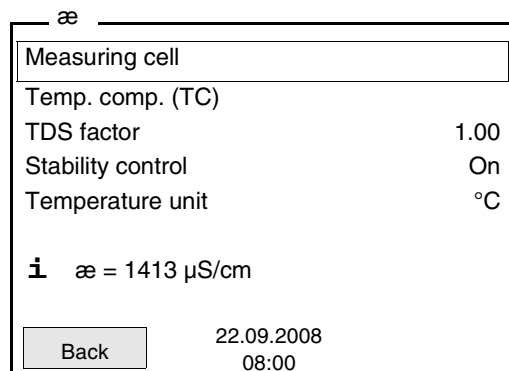
Example: Display the *Calibration record* function.



Messages

Information is marked by the **i** symbol. It cannot be selected.

Example:



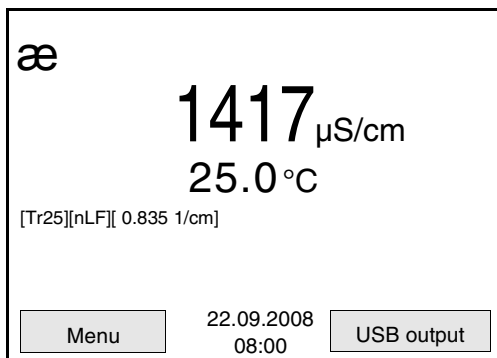
Note

The principles of navigation are explained in the two following sections by reference of examples:

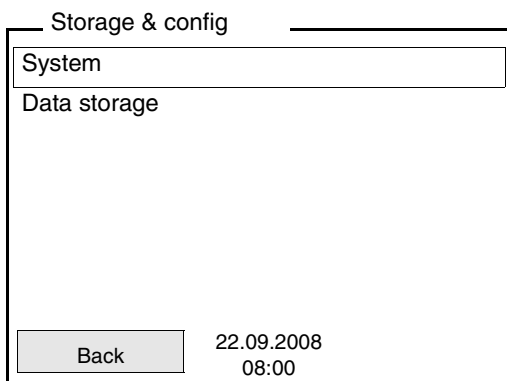
- Setting the language (section 4.2.3)
- Setting the date and time (see section 4.2.4).

4.2.3 Example 1 on navigation: Setting the language

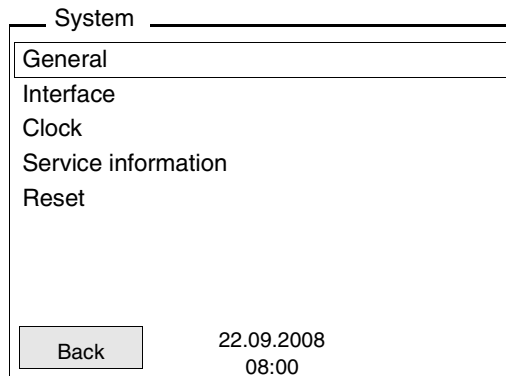
- 1 Press the <On/Off> key.
The measured value display appears.
The instrument is in the measuring mode.



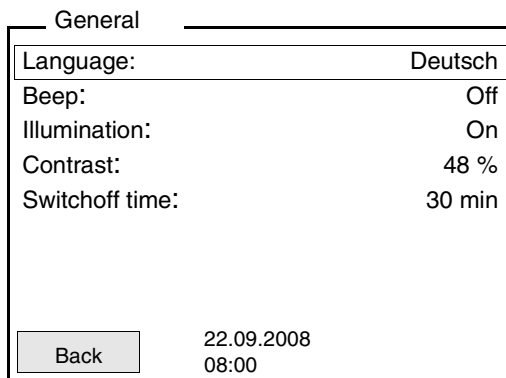
- 2 Using <F1__>/[Menu] open the *Storage & config* menu.
The instrument is in the setting mode.



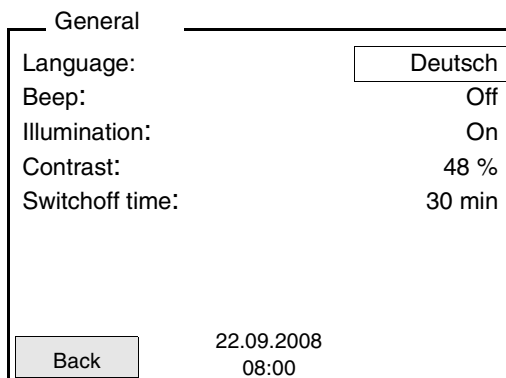
- 3 Select the *System* submenu with <▲><▼>.
The current selection is displayed with a frame.
- 4 Open the *System* submenu with <ENTER>.



- 5 | Select the *General* submenu with <▲><▼>. The current selection is displayed with a frame.
- 6 | Open the *General* submenu with <ENTER>.



- 7 | Open the setting mode for the *Language* with <ENTER>.



- 8 | Select the required language with <▲><▼>.

- 9 | Confirm the setting with **<ENTER>**.
The meter switches to the measuring mode.
The selected language is active.

4.2.4 Example 2 on navigation: Setting the date and time

The measuring instrument has a clock with a date function. The date and time are indicated in the status line of the measured value display. When storing measured values and calibrating, the current date and time are automatically stored as well.

The correct setting of the date and time and date format is important for the following functions and displays:

- Current date and time
- Calibration date
- Identification of stored measured values.

Therefore, check the time at regular intervals.



Note

After a fall of the supply voltage (empty batteries), the date and time are reset to 01.01.2008, 00:00 hours.

Setting the date, time and date format

The data format can be switched from the display of day, month, year (*dd.mm.yyyy*) to the display of month, day, year (*mm/dd/yyyy* or *mm.dd.yyyy*).

1	In the measured value display: Using <F1__>/[Menu], open the <i>Storage & config</i> menu. The instrument is in the setting mode.
2	Select and confirm the <i>System / Clock</i> menu with <▲><▼> and <ENTER>. The setting menu for the date and time opens up.
3	Select and confirm the <i>Time</i> menu with <▲><▼> and <ENTER>. The hours are highlighted.

Clock

Date format:	dd.mm.yyyy
Date:	30.10.2008
Time:	14:53:40
Back	22.09.2008 08:00

4	Change and confirm the setting with <▲><▼> and <ENTER>. The minutes are highlighted.
5	Change and confirm the setting with <▲><▼> and <ENTER>. The seconds are highlighted.
6	Change and confirm the setting with <▲><▼> and <ENTER>. The time is set.
7	If necessary, set the <i>Date</i> and <i>Date format</i> . The setting is made similarly to that of the time.
8	To make further settings, switch to the next higher menu level with [Back]<F1>. or Switch to the measured value display with <M>. The instrument is in the measuring mode.

4.3 Sensor-independent settings

The *Storage & config* menu comprises the following settings:

- *System* (see section 4.3.1).
- *Data storage* (see section 4.3.2)

4.3.1 System

Overview

The following sensor-independent meter characteristics can be adjusted in the *Storage & config/System* menu:

- Menu language
- Beep on keystroke
- Illumination
- Display contrast
- Interval of the automatic switch-off
- Data interface
- Clock and date function
- Reset of all sensor-independent system settings to the default condition

Settings

To open the *Storage & config* menu, press the <F1__>[Menu] key in the measured value display. After completing the settings, switch to the measured value display with <M>.

Menu item	Setting	Description
<i>System / General / Language</i>	<i>Deutsch</i> <i>English</i> (further)	Select the menu language
<i>System / General / Beep</i>	<i>On</i> <i>Off</i>	Switch on/off the beep on keystroke
<i>System / General / Illumination</i>	<i>Auto</i> <i>On</i> <i>Off</i>	Switching the display illumination on/off
<i>System / General / Contrast</i>	0 ... 100 %	Changing the display contrast
<i>System / General / Switchoff time</i>	10 min ... 24 h	Adjust the switch-off time
<i>System / Interface / Baud rate</i>	1200, 2400, 4800, 9600, 19200	Baud rate of the data interface

Menu item	Setting	Description
<i>System / Interface / Output format</i>	<i>ASCII CSV</i>	Output format for data transmission For details, see section 4.6
<i>System / Interface / Output header</i>		Output of a header for <i>Output format: CSV</i>
<i>System / Clock</i>	<i>Time Date Date format</i>	Settings of time and date. For details, see section 4.2.4
<i>System / Service information</i>		Hardware version and software version of the meter are displayed.
<i>System / Reset</i>	-	Resets the system settings to the default values. For details, see section 4.7.2

4.3.2 Data storage

This menu contains all functions to display, edit and erase stored measured values and calibration records.



Note

Detailed information on the storage functions of the Cond 3310 is given in section 4.5.

4.3.3 Automatic *Stability control*

The automatic *Stability control* (AutoRead) function continuously checks the stability of the measurement signal.

You can activate or switch off the automatic *Stability control* function (see section 4.4.4).

The measured parameter flashes on the display

- as soon as the measured value is outside the stability range
- if you switch over between the measured parameters with **<M>**.
- if the automatic *Stability control* is switched off.

4.4 Conductivity

4.4.1 General information

You can measure the following variables:

- Conductivity
- Specific resistance
- Salinity
- Total dissolved solids (TDS)

The measuring instrument is supplied with the following functions:

- AutoRange (automatic switchover of the measurement range). If a measuring range is exceeded, AutoRange causes the measuring instrument to automatically change to the next higher measuring range and back again. Therefore, the instrument always measures in the measuring range with the highest possible resolution.
- The AutoRead (stability control) function for checking the stability of the measurement signal. The display of the measured parameter flashes until a stable measured value is available.

Temperature measurement



The TetraCon 325, KLE 325, LR 325/01 and LR 325/001 conductivity measuring cells have an integrated temperature sensor.

Warning

When connecting an earthed PC/printer, measurements cannot be performed in earthed media as incorrect values would result. The USB interface is not galvanically isolated.

Preparatory activities

Perform the following preparatory activities when you want to measure:

1	Connect a conductivity measuring cell to the measuring instrument. The conductivity measuring window is displayed.
2	Check whether the <i>Measuring cell</i> and cell constant settings are suitable for the connected conductivity measuring cell. If necessary, correct the settings.



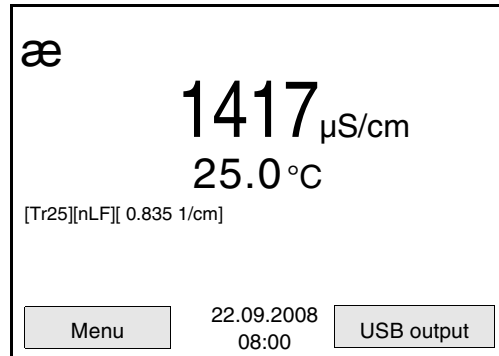
Note

The selection of the measuring cell and the setting of the cell constant is done in the measurement settings menu for conductivity (see section 4.4.4). The cell constant to be set must either be taken from the operating manual of the measuring cell or is printed on the measuring cell.

4.4.2 Measuring

You can carry out conductivity measurements as follows:

- | | |
|---|--|
| 1 | Perform the preparatory activities according to section 4.4.1. |
| 2 | Immerse the conductivity measuring cell in the test sample. |



Selecting the displayed measured variable

You can switch between the following displays with **<M>**:

- Conductivity [$\mu\text{S/cm}$] / [mS/cm]
- Resistivity [$\Omega\cdot\text{cm}$] / [$\text{k}\Omega\cdot\text{cm}$] / [$\text{M}\Omega\cdot\text{cm}$]
- Salinity SaL []
- Total dissolved solids TDS [mg/l] / [g/l]

The factor to calculate the total dissolved solids is set to 1.00 in the factory. You can adjust this factor to meet your requirements in the range of 0.40 to 1.00. The factor can be set in the TDS measuring menu.

Freezing the measured value (HOLD function)

With the HOLD function, you can freeze the current measured value. The displayed measured value stops changing until you switch the HOLD function off.

- | | |
|---|---|
| 1 | Freeze the measured value with <AR> .
The [HOLD] status indicator is displayed. |
|---|---|



Note

If the HOLD function is active, you can, e.g. start a manual measurement with stability control.

- | | |
|---|---|
| 2 | Release the frozen measured value again with <AR> .
The HOLD function is switched off.
The [HOLD] status display disappears. |
|---|---|

**Stability control
(AutoRead)**

The stability control function (AutoRead) continually checks the stability of the measurement signal. The stability has a considerable impact on the reproducibility of measured values. The display of the measured parameter flashes until a stable measured value is available.

You can start the *Stability control* manually at any time, irrespective of the setting for automatic *Stability control* (see page 26) in the *Measurement* menu.

- | | |
|---|---|
| 1 | Freeze the measured value with <AR>. The [HOLD] status indicator is displayed. |
| 2 | Using <ENTER>, activate the <i>Stability control</i> function manually.
The [AR] status indicator appears while the measured value is assessed as not stable.
The [HOLD][AR] status indicator appears as soon as a stable measured value is recognized. The current measurement data is output to the interface.
Measurement data meeting the stability control criterion is marked by AR. |



Note

You can prematurely terminate the *Stability control* function manually with <ENTER> at any time. If the *Stability control* function is prematurely terminated, the current measurement data is not output to the interface.

- | | |
|---|--|
| 3 | Using <ENTER>, start a further measurement with <i>Stability control</i> .
or
Release the frozen measured value again with <AR>. The display switches to the measured value display. The [AR][HOLD] status display disappears. |
|---|--|

Criteria for a stable measured value

The *Stability control* function checks whether the measured values are stable within the monitored time interval.

Measured parameter	Time interval	Stability in the time interval
Conductivity \varnothing	10 seconds	$\Delta \varnothing$: better than 0.5% of measured value
Temperature	10 seconds	ΔT (° C): Better than 0.02

The minimum duration until a measured value is assessed as stable is the monitored time interval. The actual duration is mostly longer.

4.4.3 Temperature compensation

The calculation of the temperature compensation is based on the preset reference temperature, 20 °C or 25 °C. It appears on the display as *Tr20* or *Tr25*.

You can select one of the following temperature compensation methods:

- **Nonlinear temperature compensation (*nLF*)**
according to EN 27 888
- **Linear temperature compensation (*lin*)**
with adjustable coefficients of 0.000 ... 3.000 %/K
- No temperature compensation (off)



Note

The reference temperature and temperature compensation are set in the conductivity measuring menu (see section 4.4.4).

Application tips

Select the following temperature compensations given in the table according to the respective test sample:

Test sample	Temperature compensation	Display indicator
Natural water (ground water, surface water, drinking water)	<i>nLF</i> according to EN 27 888	<i>nLF</i>
Ultrapure water	<i>nLF</i> according to EN 27 888	<i>nLF</i>
Other aqueous solutions	<i>lin</i> Set linear temperature coefficient 0.001 ... 3.000 %/K	<i>lin</i>
Salinity (seawater)	Automatic <i>nLF</i> according to IOT	<i>Sal, nLF</i>

4.4.4 Settings for conductivity measuring cells

Overview The following settings are possible for conductivity measuring cells:

- *Calibration record* (display)
- *Calibration interval*
- Measuring cell/cell constant
- Reference temperature
- Temperature compensation
- TDS factor
- Unit of the temperature
- *Automatic Stability control*

Settings The settings are made in the measuring menu of the conductivity measurement. To open the settings, activate the relevant measuring window in the measured value display and press the **<F1>/[menu]** or **<ENTER>** key shortly. After completing the settings, switch to the measured value display with **<M>**.

Menu item	Possible setting	Description
<i>Calibration / Calibration record</i>	-	Displays the calibration record of the last calibration.
<i>Calibration / Calibration interval</i>	1 ... 999 d	<i>Calibration interval</i> for the measuring cell (in days). The meter reminds you to calibrate regularly by the flashing sensor symbol in the measuring window.

Menu item	Possible setting	Description
<i>Measurement / Measuring cell / Type</i>	Cal	<i>Measuring cell used</i> Measuring cells the cell constant of which is determined by calibration in the KCL control standard solution. Calibration ranges: 0.450 to 0.500 cm ⁻¹ and 0.800 to 0.880 cm ⁻¹ The currently valid cell constant is displayed in the status line.
	LR325/01	LR 325/01 measuring cell, nominal cell constant 0.100 cm ⁻¹ . The cell constant can be adjusted in the range from 0.090 to 0.110 cm ⁻¹ .
	LR325/001	<i>LR 325/001</i> measuring cell, nominal cell constant 0.010 cm ⁻¹ . The cell constant is permanently set.
	man	Any measuring cells with freely adjustable cell constants in the range from 0.250 to 25.000 cm ⁻¹ .
<i>Measurement / Measuring cell / Cell const. man</i>	0.250 to 25.000 cm ⁻¹	Display and setting option of the cell constant of any measuring cells (<i>man</i>).
<i>Measurement / Measuring cell / Cell const. LR325/01</i>	0.090 to 0.110 cm ⁻¹	Display and setting option of the cell constant of the <i>LR 325/01</i> measuring cell.
<i>Measurement / Temp. comp. (TC) / Method</i>	<i>nLF</i> <i>lin</i> <i>Off</i>	Procedure for temperature compensation (see section 4.4.3). This setting is only available for the measured parameters, α and ρ .

Menu item	Possible setting	Description
<i>Measurement / Temp. comp. (TC) / Linear coeff.</i>	0.000 ... 3.000 %/K	Coefficient of the linear temperature compensation. This setting is only available when the linear temperature compensation is set.
<i>Measurement / Temp. comp. (TC) / Reference temp.</i>	20 °C 25 °C	Reference temperature This setting is only available for the measured parameters, ρ and ρ .
<i>Measurement / TDS factor</i>	0.40 ... 1.00	Factor for TDS value
<i>Measurement / Stability control</i>	<i>On / Off</i>	Switches on or off the automatic stability control during measurement (see section 4.3.3)
<i>Measurement / Temperature unit</i>	°C °F	Temperature unit, degrees Celsius or degrees Fahrenheit. All temperatures are displayed with the selected unit.
<i>Reset</i>	-	Resets all sensor settings to the delivery condition (see section 4.7.1).

4.4.5 Determining the cell constant (calibration in control standard)

Why determine the cell constant?

Aging slightly changes the cell constant, e. g. by coatings. As a result, an inexact measured value is displayed. The original characteristics of the cell can often be restored by cleaning the cell. Calibration determines the current value of the cell constant and stores this value in the meter.

Thus, you should calibrate at regular intervals (we recommend: every 6 months).

Procedure

You can determine the actual cell constant of the conductivity measuring cell by calibrating with the control standard in the following ranges:

- 0.450 ... 0.500 cm⁻¹
(e.g. TetraCon 325, nominal cell constant 0.475)
- 0.800 ... 0.880 cm⁻¹
(cells with a cell constant of approx. 0.840)

The cell constant is determined in the control standard, 0.01 mol/l KCl. Cell constants outside the ranges quoted above cannot be calibrated.

In the delivery condition, the calibrated cell constant of the meter is set to 0.475 cm⁻¹ (conductivity measuring cell, TetraCon 325).

AutoRead (stability control)

The calibration procedure automatically activates the *AutoRead* (stability control) function.

Display calibration data and output to interface

You can have the data of the last calibration displayed (see section 4.4.6). Subsequently, you can transmit the displayed calibration data to the interface, e. g. to a printer or PC, with the <F2>[USB output] key.



Note

The calibration record is automatically transmitted to the interface after calibrating.

Sample record:

```


31.10.2008 16:55:12
Cond 3310
Ser. no. 08502113

CALIBRATION Cond
31.10.2008 16:13:33

Cell constant      0.836 1/cm      25.0 °C
Sensor            +++
    
```

Calibration evaluation

After the calibration, the measuring instrument automatically evaluates the current status of the calibration. The evaluation appears on the display and in the calibration record.

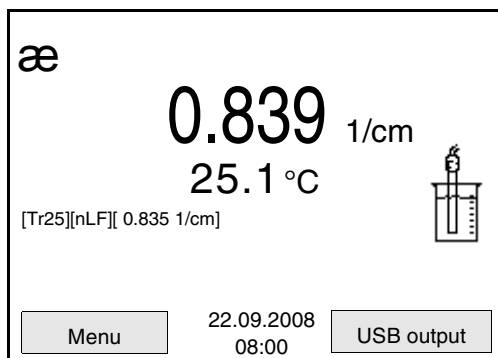
Display	Calibration record	Cell constant [cm ⁻¹]
	+++	within the ranges 0.450 ... 0.500 cm ⁻¹ or 0.800 ... 0.880 cm ⁻¹
<i>Error</i>	<i>Error</i>	outside the ranges 0.450 ... 0.500 cm ⁻¹ or 0.800 ... 0.880 cm ⁻¹

Eliminate the error according to chapter 6 WHAT TO DO IF...

Determining the cell constant

For this calibration procedure, the *Measuring cell* setting must be set to *cal* in the measuring menu. Proceed as follows to determine the cell constant:

- 1 | Connect a conductivity measuring cell to the measuring instrument.
- 2 | In the measured value display, select the conductivity parameter with <M>.
- 3 | Start the calibration with <CAL>. The cell constant that was calibrated last is displayed.



4	Immerse the conductivity measuring cell in the control standard solution, 0.01 mol/l KCl.
5	Start the measurement with <ENTER> . The [AR] status indicator is displayed. The measured parameter flashes.
6	Wait for the end of the AutoRead measurement or accept the calibration value with <ENTER> . The calibration record is displayed and transmitted to the interface.
7	Using <F1> / <i>[Continue]</i> or <ENTER> , switch to the measured value display.

4.4.6 Displaying calibration records

Displaying the calibration record

The calibration data can be displayed and then output to the interface. The calibration record of the last calibration is to be found under the menu item, *Calibration / Calibration record*. To open it in the measured value display, press the **<CAL__>** key.

The calibration records of the last 10 calibrations are to be found in the menu, *Storage & config / Data storage / Calibration data storage*. To open the *Storage & config* menu, press the **<F1__>**[Menu] key in the measured value display.

4.5 Data storage

You can transmit measured values (datasets) to the data storage:

- Manual storage (see section 4.5.1)
- Automatic storage at intervals (see section 4.5.2)

Each storage process transmits the current dataset to the interface at the same time.

Measurement dataset

A complete dataset consists of:

- ID number
- Date/time
- Measured value of the connected sensor
- Measured temperature value of the connected sensor
- AutoRead info: *AR* appears with the measured value if the AutoRead criterion was met while storing (stable measured value). Otherwise, the *AR* display is missing.
- Calibration evaluation: +++, ++, +, -, or no evaluation

Storage locations

The Cond 3310 meter has two measurement data memories. The measured values recorded either manually or automatic are stored separately in individual measurement data memories.

Storage	Maximum number of datasets
<i>Manual data storage</i>	200
<i>Automatic data storage</i>	5000

4.5.1 Manual storage

You can transmit a measurement dataset to the data storage as follows. The dataset is at the same time output to the interface:

- 1 Press the **<STO>** key shortly.
The menu for manual storage appears.

Manual data storage

Data record: 4 From 200
 30.10.2008 11:24:16
 æ 1415 µS/cm 25.1 °C AR +++
 C = 0.835 1/cm, Tref 25, nLF

ID number: 1

Continue

22.09.2008
08:00

Back

- 2 If necessary, change and confirm the ID number (1 ... 10000) with **<▲><▼>** and **<ENTER>**.
The dataset is stored. The meter switches to the measured value display.

If the storage is full

The following window appears if all 200 storage locations are occupied:

Warning

Data storage full. Erase?

Yes

No

22.09.2008
08:00

Back

You have the following options:

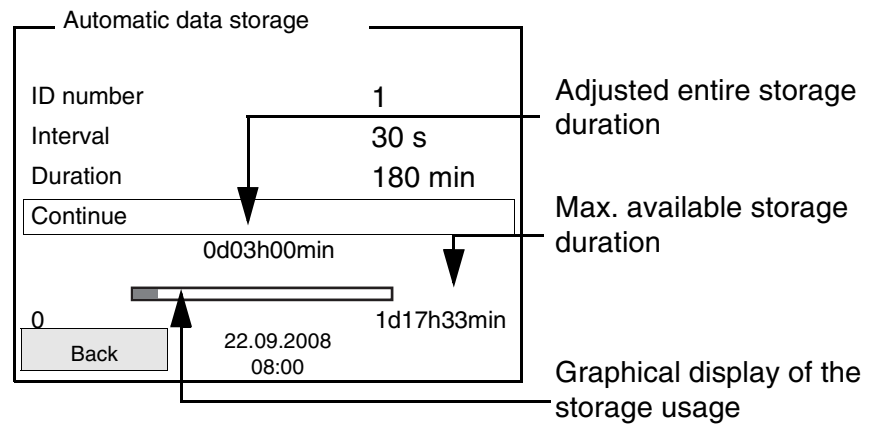
- To erase the entire storage, confirm *Yes*.
- To cancel the storage process and switch to the measured value display, confirm *No*. Then you can e.g. transmit the stored data to a PC (see section 4.5.3) and subsequently erase the storage (see section 4.5.4).

4.5.2 Automatic storage at intervals

The storage interval (*Interval*) determines the chronological interval between automatic storage processes. Each storage process transmits the current dataset to the interface at the same time.

Configuring the automatic storage function

- 1 Press the <STO_> key.
The menu for automatic storage appears.



Settings

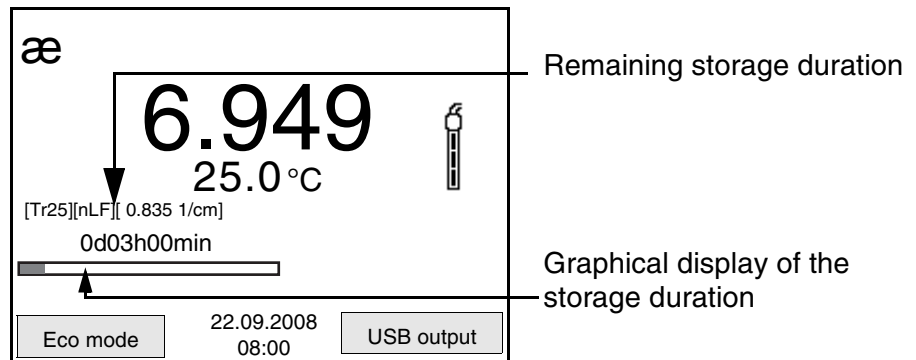
You can configure the automatic storage function with the following settings:

Menu item	Possible setting	Description
ID number	1 ... 10000	ID number for the dataset series.
<i>Interval</i>	1 s, 5 s, 10 s, 30 s, 1 min, 5 min, 10 min, 15 min, 30 min, 60 min	Storage interval. The lower limit of the storage interval can be restricted by the number of free storage locations. The upper limit is restricted by the storage duration.

Menu item	Possible setting	Description
<i>Duration</i>	<i>1 min ... x min</i>	Storage duration. Specifies after which time the automatic storage should be terminated. The lower limit of the storage duration is restricted by the storage interval. The upper limit is restricted by the number of free storage locations.

Starting the automatic storage function

To start the automatic storage function, select *Continue* with <▲><▼> and confirm with <ENTER>. The meter switches to the measured value display.



The active automatic storage function can be recognized from the progress bar in the status line. The progress bar indicates the remaining storage duration.



Note

If the automatic storage function is activated, only the following keys are active: Softkeys, <M>, <STO_> and <On/Off>. The other keys and the automatic switch-off function are deactivated.

Energy saving mode ([Eco mode])

If the automatic storing function is active, the meter provides an energy saving mode ([Eco mode]) to avoid unnecessary energy consumption. The energy saving mode switches off functions of the meter that are not required for the automatic storage of measurement data (such as the display). By pressing any key the energy saving mode is switched off again.

Terminating the automatic storage function prematurely

Proceed as follows to switch off the automatic storage function before the adjusted storage duration has expired:

- 1 Press the **<STO_>** key.
The following window appears.

Warning

Stop automatic storage? 1

Yes

No

Back 22.09.2008
08:00

- 2 Using **<▲><▼>**, select Yes and confirm with **<ENTER>**.
The meter switches to the measured value display.
The automatic storage function is terminated.

4.5.3 Displaying and editing the measurement data storage

The contents of the manual or automatic measurement data storage can be shown on the display.

Each of the measurement data memories has a function to erase the entire contents.

The contents of the manual or automatic measurement data storage can be shown on the display and output to the interface.

Editing the data storage

The storage is edited in the menu, *Storage & config/ Data storage*. To open the *Storage & config* menu, press the <F1__>[Menu] key in the measured value display. Open the manual or automatic storage directly with the <RCL> or <RCL_> key.



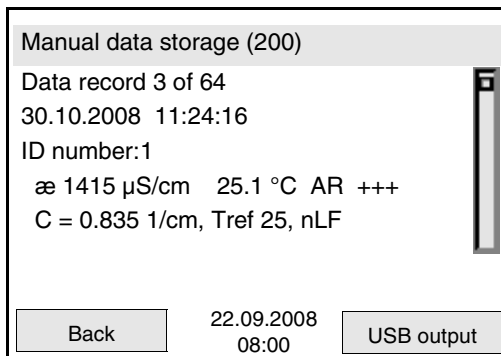
Note

The settings are explained here using the manual storage as an example. The same settings and functions are available for the automatic storage.

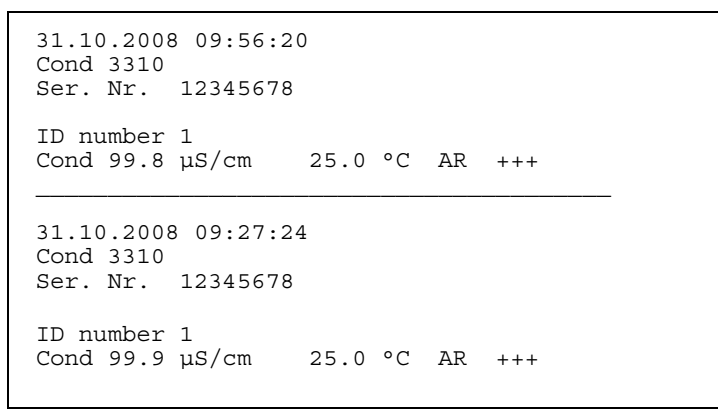
Settings

Menu item	Setting/function	Description
<i>Data storage / Manual data storage / Display</i>	-	Displays all measurement datasets page by page. Further options: <ul style="list-style-type: none"> ● Scroll through the datasets with <▲><▼>. ● Output the displayed dataset to the interface with <F2>/[USB output]. ● Quit the display with <F1>/[Back].
<i>Data storage / Manual data storage / Erase</i>	-	Erases the entire manual measurement data storage. Note: All calibration data remains stored when this action is performed.
<i>Data storage / Manual data storage / Output to USB</i>	-	Output the displayed measuring data to the interface.

Display presentation of a dataset



Sample printout



Quitting the display

To quit the display of stored measurement datasets, you have the following options:

- Switch directly to the measured value display with **<M>**.
- Quit the display and move to the next higher menu level with **<F1>/[Back]**.

4.5.4 Erasing the measurement data storage

How to erase the measurement data storage is described in section 4.5.3 DISPLAYING AND EDITING THE MEASUREMENT DATA STORAGE.

4.5.5 Displaying the calibration data storage

The data of the last 10 calibration procedures are automatically stored in the calibration data storage. You can view the calibration data in the *Storage & config* menu.

To open the *Storage & config* menu, press the <F1__>[Menu] key in the measured value display.

Menu item	Setting/function	Description
<i>Data storage / Calibration data storage / Display</i>	-	<p>Displays the calibration record.</p> <p><u>Further options:</u></p> <ul style="list-style-type: none"> ● Scroll through the calibration records with <▲><▼>. ● Output the displayed calibration record to the interface with <F2>/[USB output]. ● Quit the display with <F1>/[Back] or <ENTER>. ● Switch directly to the measured value display with <M>.
<i>Data storage / Calibration data storage / Output to USB</i>	-	Outputs the calibration records to the interface.

Sample printout

```

31.10.2008 16:55:12
Cond 3310
Ser. no. 08502113

CALIBRATION Cond
31.10.2008 16:13:33

Cell constant          0.836 1/cm      25.0 °C
Sensor                 +++

etc...
```

4.6 Transmitting data (USB interface)

4.6.1 Options for data transmission

Via the USB interface you can transmit data to a PC. The following table shows which data are transmitted to the interface in which way:

Data	Control	Operation / description
Current measured values of all connected measuring cells	Manual	<ul style="list-style-type: none"> ● With <F2>/<i>[USB output]</i>. ● Simultaneously with every manual storage process (see section 4.5.1).
	Automatic, at intervals	<ul style="list-style-type: none"> ● With <F2__>/<i>[USB output]</i>. Then you can set the transmission interval. ● Simultaneously with every automatic storage process (see section 4.5.2).
Stored measured values	Manual	<ul style="list-style-type: none"> ● Displayed dataset with <F2__>/<i>[USB output]</i> after calling up from the storage. ● All datasets with the <i>Output to USB</i> function. <p>For details, see section 4.5.3.</p>
Calibration records	Manual	<ul style="list-style-type: none"> ● Calibration record with <F2__>/<i>[USB output]</i>. <p>For details, see section 4.6.</p>
	Automatic	<ul style="list-style-type: none"> ● At the end of a calibration procedure.



Note

The following rule applies: With the exception of the menus, shortly pressing the *[USB output]***<F2>** key generally outputs the display contents to the interface (displayed measured values, measurement datasets, calibration records).

4.6.2 Connecting a PC

Connect the Cond 3310 to the PC via the USB interface.



Warning

The USB interface is not galvanically isolated.

When a grounded PC is connected, measurements cannot be performed in grounded media as incorrect values would result.

Installation of the USB driver on the PC

System requirements of the PC for installation of the USB driver:

- PC with Pentium processor or higher with at least one free USB connection and CD-ROM drive
- Windows 2000, XP, Vista.

1	Insert the supplied installation CD in the CD drive of your PC.
2	Install the driver from the CD. Follow the Windows installation instructions as necessary.
3	Connect the Cond 3310 to the PC via the USB interface. The meter is listed as a virtual COM interface among the connections in the Windows instrument manager.

4.7 Reset

You can reset (initialize) all sensor settings and sensor-independent settings separately from each other.

4.7.1 Resetting the measurement settings



Note

The calibration data are reset to the default settings together with the measuring parameters. Recalibrate after performing a reset.

The following settings for conductivity measurements are reset to the default settings with the *Reset* function:

Setting	Default settings
Cal. interval	150 d
Measured parameter	æ
Cell constant (c)	0.475 cm ⁻¹ (calibrated) 0.475 cm ⁻¹ (set up)
Temperature compensation	nLF
Reference temperature	25 °C
Temperature coefficient (TC) of the linear temperature compensation	2.000 %/K
TDS factor	1.00
Stability control	On
Temperature unit	°C

The sensor settings are reset under the *Reset* menu item in the measuring menu. To open the settings, activate the relevant measuring window in the measured value display and press the <F1>[Menu] key shortly.

4.7.2 Resetting the system settings

The following system settings can be reset to the delivery status:

Setting	Default settings
<i>Language</i>	English
<i>Beep</i>	On
<i>Baud rate</i>	4800 Baud
<i>Output format</i>	ASCII
<i>Contrast</i>	50 %
<i>Illumination</i>	On
<i>Switchoff time</i>	1 h

The system settings are reset in the menu, *Storage & config / System / Reset*. To open the *Storage & config* menu, press the <F1__>[Menu] key in the measured value display.

5 Maintenance, cleaning, disposal

5.1 Maintenance

The only maintenance activity required is replacing the batteries.

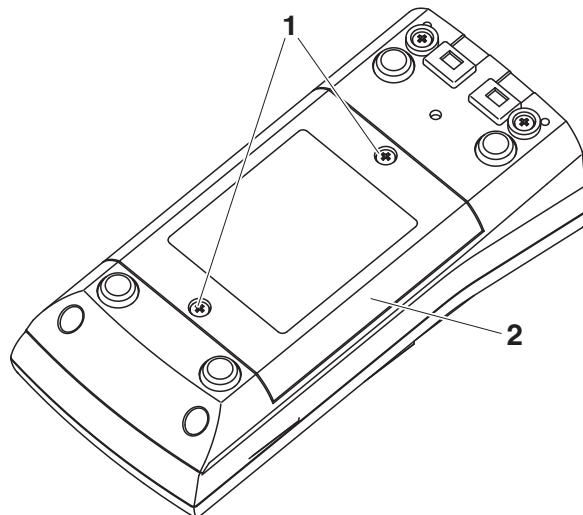


Note

See the relevant operating manuals of the measuring cells for instructions on maintenance.

5.1.1 Replacing the batteries

1	Unscrew the two screws (1) on the underside of the meter.
2	Open the battery compartment (2) on the underside of the meter.



3	Remove the four batteries from the battery compartment.
4	Place four new batteries (type Mignon AA) in the battery compartment.



Note

Alternatively, you can also use Ni-MH rechargeable batteries (type Mignon AA). In order to charge the batteries, an external charging device is required.



Caution

Make sure that the poles of the batteries are positioned correctly. The \pm signs on the batteries must correspond to the \pm signs in the battery compartment.

- 5 | Close the battery compartment (2) and tighten the screws (1).

5.2 Cleaning

Occasionally wipe the outside of the measuring instrument with a damp, lint-free cloth. Disinfect the housing with isopropanol as required.



Caution

The housing is made of synthetic material (ABS). Thus, avoid contact with acetone or similar detergents that contain solvents. Remove any splashes immediately.

5.3 Packing

This meter is sent out in a protective transport packing. We recommend: Keep the packing material. The original packing protects the meter against damage during transport.

5.4 Disposal




Note

This meter contains batteries. Batteries that have been removed must only be disposed of at a recycling facility set up for this purpose or via the retail outlet.

It is illegal to dispose of it in household refuse.

6 What to do if...

Error message, <i>OFL</i>	Cause <ul style="list-style-type: none"> – Measured value outside the measuring range 	Remedy <ul style="list-style-type: none"> – Use suitable measuring cell
Error message, <i>Error</i>	Cause <ul style="list-style-type: none"> – Measuring cell contaminated – Calibration solution not suitable 	Remedy <ul style="list-style-type: none"> – Clean cell and replace it if necessary – Check calibration solutions
Sensor symbol flashes	Cause <ul style="list-style-type: none"> – Cleaning interval expired 	Remedy <ul style="list-style-type: none"> – Recalibrate the measuring system
 Display	Cause <ul style="list-style-type: none"> – batteries almost empty 	Remedy <ul style="list-style-type: none"> – Replace the batteries (see section 5.1 MAINTENANCE)
Meter does not react to keystroke	Cause <ul style="list-style-type: none"> – Operating condition undefined or EMC load unallowed 	Remedy <ul style="list-style-type: none"> – Processor reset: Press the <ENTER> and <On/Off> key simultaneously
You want to know which software version is in the meter	Cause <ul style="list-style-type: none"> – E. g., a question by the service department 	Remedy <ul style="list-style-type: none"> – Switch on the meter. Open the menu, <F1__>[Menu] / <i>Storage & config</i> / <i>System</i> / <i>Service information</i>. The instrument data is displayed.

7 Technical data

7.1 General data

Dimensions	approx. 180 x 80 x 55 mm	
Weight	approx. 0.4 kg	
Mechanical structure	Type of protection	IP 67
Electrical safety	Protective class	III
Test certificates	CE	
Ambient conditions	Storage	- 25 °C ... + 65 °C
	Operation	-10 °C ... + 55 °C
	Climatic class	2
Power supply	Batteries	4 x 1.5 V alkali-manganese batteries, type AA
	Rechargeable batteries	4 x 1,2 V NiMH rechargeable batteries, type AA (no charging function)
	Operational life	up to 800 h without / 100 h with illumination
USB interface	Type	USB 1.1 USB B (device), data output
	Baud rate	adjustable: 1200, 2400, 4800, 9600, 19200 Baud
	Data bits	8
	Stop bits	2
	Parity	None
	Handshake	RTS/CTS
	Cable length	max. 3 m
Guidelines and norms used	EMC	EC directive 2004/108/EC EN 61326-1 EN 61000-3-2 EN 61000-3-3 FCC Class A
	Meter safety	EC directive 2006/95/EC EN 61010-1
	Climatic class	VDI/VDE 3540
	IP protection class	EN 60529

7.2 Measuring ranges, resolution, accuracy

Measuring ranges, resolution	Parameter	Measuring range	Resolution
	æ [µS/cm]	0.000 ... 1.999*	0.001
		0.00 ... 19.99**	0.01
		0.0 ... 199.9	0.1
		200 ... 1999	1
	æ [mS/cm]	2.00 ... 19.99	0.01
		20.0 ... 199.9	0.1
		200 ... 1000	1
	ρ (Resistivity) [Ohm*cm]	0.00 ... 9.99	0.01
		10.0 ... 99.9	0.1
		100 ... 999	1
	ρ (Resistivity) [kOhm*cm]	1.00 ... 9.99	0.01
		10.0 ... 99.9	0.1
		100 ... 999	1
	ρ (Resistivity) [MOhm*cm]	1.00 ... 9.99	0.01
		10.0 ... 99.9	0.1
		100 ... 999	1
	SAL	0.0 ... 70.0 according to the IOT table	0.1
	TDS	0 ... 1999 mg/l	1
		0 ... 19.99 g/l	0.01
		0 ... 199.9 g/l	0.1
	T [°C]	- 5.0 ... + 105.0	0.1
	T [°F]	+ 23.0 ... + 221.0	0.1

* only possible with cells of the cell constant, 0.010 cm⁻¹

** only possible with cells of the cell constant, 0.010 cm⁻¹ or 0.090 ... 0.110 cm⁻¹

Cell constants	Cell constant C	Values
	Can be calibrated in the ranges	0.450 ... 0.500 cm ⁻¹ 0.800 ... 0.880 cm ⁻¹
	Adjustable	0.010 cm ⁻¹ (fixed) 0.090 ... 0.110 cm ⁻¹ 0.250 ... 25.000 cm ⁻¹
Reference temperature	Reference temperature	Values
	Adjustable	20 °C (Tref20) 25 °C (Tref25)

Accuracy (± 1 digit)	Parameter	Accuracy	Temperature of the test sample
<i>α and ρ / temperature compensation</i>			
	<i>None (Off)</i>	$\pm 0.5 \%$	
	<i>Nonlinear (nLF)</i>	$\pm 0.5 \%$	0 °C ... + 35 °C according to EN 27 888
		$\pm 0.5 \%$	+ 35 °C ... + 50 °C enhanced nLF function
	<i>Linear (lin)</i>	$\pm 0.5 \%$	+ 10 °C ... + 75 °C
SAL / range			
	0.0 ... 42.0	± 0.1	+ 5 °C ... + 25 °C
		± 0.2	+ 25 °C ... + 30 °C
TDS [mg/l]			
		$\pm 0.5 \%$	
T [°C] / temperature sensor			
	<i>NTC 30</i>	± 0.2	
	<i>PT 1000</i>	± 0.3	

**Note**

The accuracy values specified here apply exclusively to the meter. The accuracy of the measuring cell has also to be taken into account.

FCC Class A Equipment Statement

Note: This equipment has been tested and found to comply with the limits for a Class A digital device, pursuant to Part 15 of the FCC Rules. These limits are designed to provide reasonable protection against harmful interference when the equipment is operated in a commercial environment. This equipment generates, uses, and can radiate radio frequency energy and, if not installed and used in accordance with the instruction manual, may cause harmful interference to radio communications. Operation of this equipment in a residential area is likely to cause harmful interference in which case the user will be required to correct the interference at his own expense. Changes or modifications not expressly approved by the manufacturer could void the user's authority to operate the equipment.

8 Lists

This chapter provides additional information and orientation aids.

Specialist terms The glossary briefly explains the meaning of the specialist terms. However, terms that should already be familiar to the target group are not described here.

Index The index will help you to find the topics that you are looking for.

Glossary

Adjusting To manipulate a measuring system so that the relevant value (e. g. the displayed value) differs as little as possible from the correct value or a value that is regarded as correct, or that the difference remains within the tolerance.

AutoRange Name of the automatic selection of the measuring range.

Calibration Comparing the value from a measuring system (e. g. the displayed value) to the correct value or a value that is regarded as correct. Often, this expression is also used when the measuring system is adjusted at the same time (see adjusting).

Cell constant, k Characteristic quantity of a conductivity measuring cell, depending on the geometry.

Conductivity Short form of the expression, specific electrical conductivity. It corresponds to the reciprocal value of the resistivity. It is a measured value of the ability of a substance to conduct an electric current. In water analysis, the electrical conductivity is a dimension for the ionized substances in a solution.

Measured parameter The measured parameter is the physical dimension determined by measuring, e. g. pH, conductivity or D.O. concentration.

Measured value The measured value is the special value of a measured parameter to be determined. It is given as a combination of the numerical value and unit (e. g. 3 m; 0.5 s; 5.2 A; 373.15 K).

Molality Molality is the quantity (in Mol) of a dissolved substance in 1000 g solvent.

Reference temperature	Fixed temperature value to compare temperature-dependent measured values. For conductivity measurements, the measured value is converted to a conductivity value at a reference temperature of 20 °C or 25 °C.
Reset	Restoring the original condition of all settings of a measuring system.
Resistance	Short name for the electrolytic resistivity. It corresponds to the reciprocal value of the electrical conductivity.
Resolution	Smallest difference between two measured values that can be displayed by a meter.
Salinity	The absolute salinity S_A of seawater corresponds to the relationship of the mass of dissolved salts to the mass of the solution (in g/Kg). In practice, this dimension cannot be measured directly. Therefore, the practical salinity according to IOT is used for oceanographic monitoring. It is determined by measuring the electrical conductivity.
Salt content	General designation for the quantity of salt dissolved in water.
Stability control	Function to control the measured value stability.
Standard solution	The standard solution is a solution where the measured value is known by definition. It is used to calibrate a measuring system.
Temperature coefficient	Value of the slope α of a linear temperature function. $\mathcal{R}_{T_{\text{Ref}}} = \mathcal{R}_{\text{Meas}} * \frac{1}{1 + \alpha * (T - T_{\text{Ref}})}$
Temperature compensation	Name of a function that considers the temperature influence on the measurement and converts it accordingly. Depending on the measured parameter to be determined, the temperature compensation functions in different ways. For conductimetric measurements, the measured value is converted to a defined reference temperature. For potentiometric measurements, the slope value is adjusted to the temperature of the test sample but the measured value is not converted.
Temperature function	Name of a mathematical function expressing the temperature behavior of a test sample, a probe or part of a probe.
Test sample	Designation of the test sample ready to be measured. Normally, a test sample is made by processing the original sample. The test sample and original sample are identical if the test sample was not processed.

Index

A

Authorized use 10
 Automatic switch-off 15
 AutoRead 29

B

Battery compartment 13, 49

C

Calibration 34
 Calibration evaluation 35
 calibration records 36
 Cell constant 34
 Connecting a PC 46
 Control standard 34

D

Dataset 37
 Date and time 22
 Default settings
 Measured parameter 47
 System settings 48

E

Energy saving feature 14
 Energy saving mode 40

F

Firmware update 61

I

Initial commissioning 13, 14
 Initialize 47

K

Keys 6

M

Measured value display 17
 Measurement data memory
 Edit 42
 Erase 42

Storage locations 37
 Measurement dataset 37
 Measuring 28
 Measuring menu 31
 Menus (navigation) 17
 Messages 18

O

Operational safety 10

P

Precautions 9
 Print 45

R

Reset 47

S

Safety 9
 Sample display 7
 Saving 37
 At intervals 39
 Automatic 39
 Manual 38
 Scope of delivery 13
 Setting the date 14
 Setting the time 14
 Socket field 8
 Stability control
 automatic 26
 Storage interval 39

T

Temperature compensation 30
 Temperature measurement 27
 Transmitting data 45
 Transmitting measured values 45

Appendix: Firmware update

General information

Available firmware updates are provided on the Internet. With the "Firmware Update " program and a PC you can update the firmware of the Cond 3310 to the newest version.

For the update you have to connect the meter to a PC.

For the update via the USB interface, the following is required:

- a free USB interface (virtual COM port) on the PC
- the driver for the USB interface (on the enclosed CD-ROM)
- the USB cable (included in the scope of delivery of the Cond 3310).

Program installation

1	<p>Install the downloaded firmware update on a PC.</p> <p>An update folder is created in the Windows start menu. If an update folder already exists for the meter (or meter type), the new data is displayed there.</p>
---	---

Program start

2	In the windows start menu, open the update folder and start the firmware update program.
---	--

Firmware update

3	Using the USB interface cable, connect the Cond 3310 to a USB interface (virtual COM port) of the PC.
4	Switch on the Cond 3310.
5	In the firmware update program, start the update process with OK.
6	<p>Follow the instructions of the firmware update program. During the programming process, a corresponding message and a progress bar (in %) are displayed. The programming process takes approx. three minutes. A terminatory message is displayed after a successful programming process. The firmware update is completed.</p>
7	<p>Disconnect the Cond 3310 from the PC. The Cond 3310 is ready for operation again.</p>

After switching the meter off and on you can check whether the meter has taken over the new software version (see page 65).



Wissenschaftlich-Technische Werkstätten GmbH

Dr.-Karl-Slevogt-Straße 1
D-82362 Weilheim

Germany

Tel: +49 (0) 881 183-0
+49 (0) 881 183-100
Fax: +49 (0) 881 183-420
E-Mail: Info@WTW.com
Internet: <http://www.WTW.com>