

pH 3210



pH meter

**Accuracy when
going to press**

The use of advanced technology and the high quality standard of our instruments are the result of a continuous development. This may result in differences between this operating manual and your meter. Also, we cannot guarantee that there are absolutely no errors in this manual. Therefore, we are sure you will understand that we cannot accept any legal claims resulting from the data, figures or descriptions.

Copyright

© Weilheim 2008, WTW GmbH
Reproduction in whole - or even in part - is prohibited without the express written permission of WTW GmbH, Weilheim.
Printed in Germany.

pH 3210 - Contents

1	Overview	5
1.1	Keypad	6
1.2	Display	7
1.3	Socket field	8
2	Safety	9
2.1	Authorized use	10
2.2	General safety instructions	10
3	Commissioning	13
3.1	Scope of delivery	13
3.2	Initial commissioning	13
3.2.1	Inserting the batteries	13
3.2.2	Switching on the meter	14
3.2.3	Setting the date and time	14
4	Operation	15
4.1	Switching on the meter	15
4.2	General operating principles	16
4.2.1	Operating modes	16
4.2.2	Navigation	17
4.2.3	Example 1 on navigation: Setting the language	19
4.2.4	Example 2 on navigation: Setting the date and time	22
4.3	Sensor-independent settings	24
4.3.1	<i>System</i>	24
4.3.2	<i>Data storage</i>	25
4.3.3	<i>Automatic Stability control</i>	26
4.4	pH value / ORP voltage	27
4.4.1	General information	27
4.4.2	Measuring the pH value	28
4.4.3	Measuring the ORP	30
4.4.4	Settings for pH and ORP measurements	32
4.4.5	pH calibration	34
4.4.6	Calibration interval	38
4.4.7	Carrying out an automatic calibration (AutoCal)	39
4.4.8	Carrying out a manual calibration (ConCal)	42
4.4.9	Displaying calibration records	45
4.4.10	Continuous measurement control (CMC function)	46

4.5	Storage	47
4.5.1	Manual storage	48
4.5.2	Editing the measured value storage	48
4.5.3	Erasing the measurement data storage	50
4.6	Reset	51
4.6.1	Resetting the measurement settings	51
4.6.2	Resetting the system settings	52
5	Maintenance, cleaning, disposal	53
5.1	Maintenance	53
5.1.1	Replacing the batteries	53
5.2	Cleaning	54
5.3	Packing	54
5.4	Disposal	54
6	What to do if... ..	55
7	Technical data	59
7.1	General data	59
7.2	Measuring ranges, resolution, accuracy	60
8	Lists	63

1 Overview

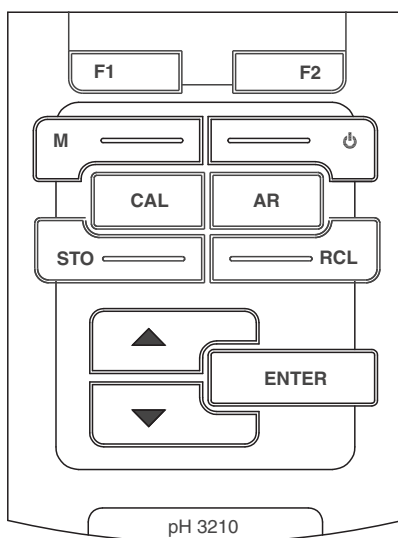
The compact pH 3210 precision pH meter enables you to perform pH measurements rapidly and reliably. The pH 3210 provides the maximum degree of operating comfort, reliability and measuring certainty for all applications.

The proven calibration procedures and automatic stability control function (AR) support your work with the pH meter.

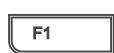


1	Keypad
2	Display
3	Socket field

1.1 Keypad



In this operating manual, keys are indicated by brackets <...> .
 The key symbol (e.g. <ENTER>) generally indicates a short keystroke (under 2 sec) in this operating manual. A long keystroke (approx. 2 sec) is indicated by the underscore behind the key symbol (e.g. <ENTER__>).



<F1>:

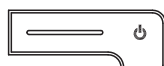
Softkey providing situation dependent functions , e.g.:
 <F1>/[Menu]: Opens the menu for measurement settings
 <F1__>/[Menu]: Opens the menu for system settings



<F1__>:

<F2>:

<F2__>:



<On/Off>:

Switches the meter on or off



<M>:

Selects the measured parameter



<CAL>:

Calls up the calibration procedure

<CAL__>:

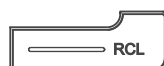
Displays the calibration data



<STO>:

Stores a measured value manually

<STO__>



<RCL>:

Displays the manually stored measured values

<RCL__>



<▲>:

Increments values, scrolls



<▼>:

Decrements values, scrolls

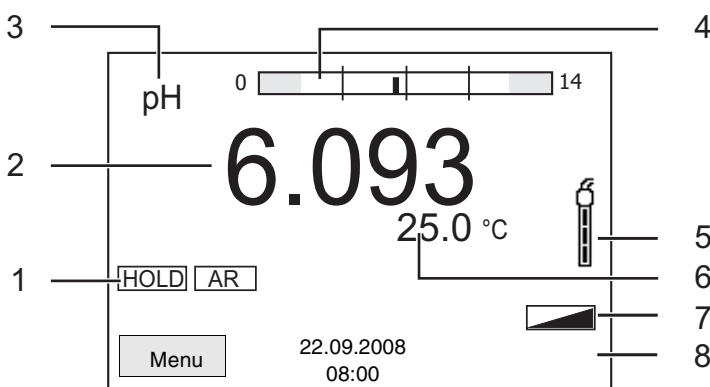


<ENTER>: Opens the menu for measurement settings / confirms entries
<ENTER_>: Opens the menu for system settings



<AR> Freezes the measured value (HOLD function)
 Switches the AutoRead measurement on or off

1.2 Display

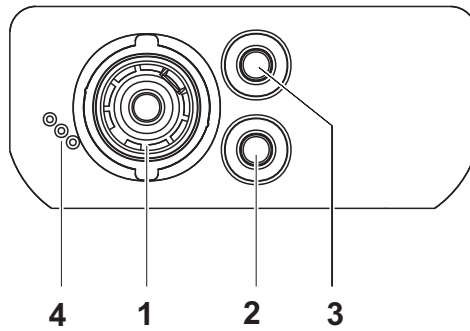


1	Status information
2	Measured value (with unit)
3	Measured parameter
4	Continuous measurement control (CMC function)
5	Sensor symbol (calibration evaluation, calibration interval)
6	Measured temperature (with unit)
7	Status line
8	Softkeys and date + time

Function display indicators

AutoCal e.g. TEC	Calibration with automatic buffer recognition, e.g. with the buffer set: Technical buffers
ConCal	Calibration with any buffers
Error	An error occurred during calibration
LoBat	Batteries are almost empty
AR	Stability control (AutoRead) is active
HOLD	Measured value is frozen (<AR> key)

1.3 Socket field



Connectors:

1	pH electrode
2	Reference electrode
3	Temperature sensor
4	Service interface



Caution

Only connect sensors to the meter that cannot return any voltages or currents that are not allowed (> SELV and > current circuit with current limiting).

Almost all customary sensors fulfill these conditions.

2 Safety

This operating manual contains basic instructions that you must follow during the commissioning, operation and maintenance of the meter. Consequently, all responsible personnel must read this operating manual before working with the meter.

The operating manual must always be available within the vicinity of the meter.

Target group

The meter was developed for work in the field and in the laboratory. Thus, we assume that, as a result of their professional training and experience, the operators will know the necessary safety precautions to take when handling chemicals.

Safety instructions

Safety instructions in this operating manual are indicated by the warning symbol (triangle) in the left column. The signal word (e.g. "Caution") indicates the level of danger:



Warning

indicates instructions that must be followed precisely in order to avoid possibly great dangers to personnel.



Caution

indicates instructions that must be followed precisely in order to avoid the possibility of slight injuries or damage to the meter or the environment.

Further notes



Note

indicates notes that draw your attention to special features.



Note

indicates cross-references to other documents, e.g. operating manuals.

2.1 Authorized use

This meter is authorized exclusively for pH and ORP measurements in a laboratory or field environment.

The technical specifications as given in chapter 7 TECHNICAL DATA must be observed. Only the operation and running of the meter according to the instructions given in this operating manual is authorized.

Any other use is considered **unauthorized**.

2.2 General safety instructions

This meter is constructed and tested in compliance with the IEC 1010 safety regulations for electronic measuring instruments.

It left the factory in a safe and secure technical condition.

Function and operational safety

The smooth functioning and operational safety of the meter can only be guaranteed if the generally applicable safety measures and the specific safety instructions in this operating manual are followed during operation.

The smooth functioning and operational safety of the meter can only be guaranteed under the environmental conditions that are specified in chapter 7 TECHNICAL DATA.

If the meter was transported from a cold environment to a warm environment, the formation of condensate can lead to the faulty functioning of the meter. In this event, wait until the temperature of the meter reaches room temperature before putting the meter back into operation.



Caution

The meter is only allowed to be opened by authorized personnel.

Safe operation

If safe operation is no longer possible, the meter must be taken out of service and secured against inadvertent operation!

Safe operation is no longer possible if the meter:

- has been damaged in transport
- has been stored under adverse conditions for a lengthy period of time
- is visibly damaged
- no longer operates as described in this manual.

If you are in any doubt, please contact the supplier of the meter.

Obligations of the purchaser

The purchaser of this meter must ensure that the following laws and guidelines are observed when using dangerous substances:

- EEC directives for protective labor legislation
- National protective labor legislation
- Safety regulations
- Safety datasheets of the chemical manufacturers.

**Caution**

In addition to the safety instructions mentioned here, also follow the safety instructions of the sensors used.

The operating manuals of the sensors are available on the supplied CD and on the Internet under www.WTW.com.

3 Commissioning

3.1 Scope of delivery

- pH meter, pH 3210
- 4 batteries 1.5 V Mignon type AA
- Short instructions
- CD-ROM with detailed operating manual

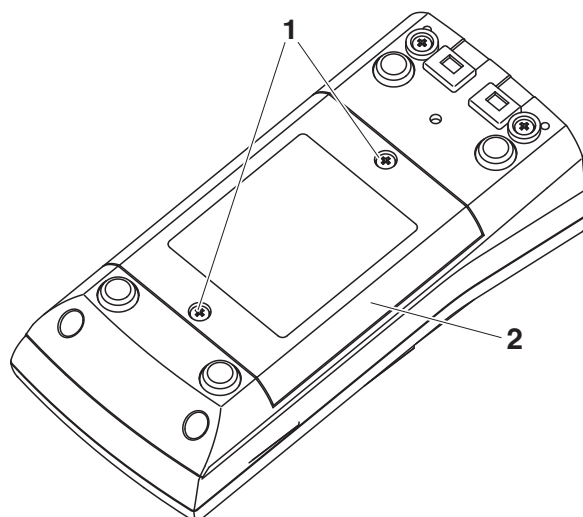
3.2 Initial commissioning

Perform the following activities:

- Insert the supplied batteries
- Switch on the meter
- Set the date and time

3.2.1 Inserting the batteries

1	Unscrew the two screws (1) on the underside of the meter.
2	Open the battery compartment (2) on the underside of the meter.



3	Place four batteries (type Mignon AA) in the battery compartment.
---	---

**Note**

Alternatively, you can also use Ni-MH rechargeable batteries (type Mignon AA). In order to charge the batteries, an external charging device is required.

**Caution**

Make sure that the poles of the batteries are positioned correctly. The ± signs on the batteries must correspond to the ± signs in the battery compartment.

- 4 Close the battery compartment (2) and tighten the screws (1).

3.2.2 Switching on the meter

- 1 Press the **<On/Off>** key.
The meter performs a self-test.
The display shows the manufacturer's logo while the self-test is being performed.
Subsequently, the meter switches to the measuring mode (measured value display).

**Note**

The meter has an energy saving feature to avoid unnecessary battery depletion.

The energy saving feature switches off the meter if no key is pressed during the adjusted interval. (How to set the switch-off interval, see section 4.3.1).

3.2.3 Setting the date and time

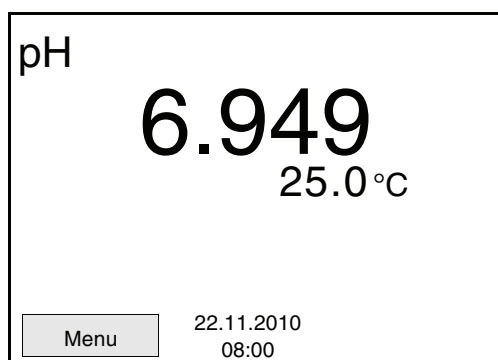
- 1 See section 4.2.4

4 Operation

4.1 Switching on the meter

Switching on

Press the <On/Off> key.
The meter performs a self-test.
The display shows the manufacturer's logo while the self-test is being performed.
The measured value display appears.



Switching off

Press the <On/Off> key.

Automatic switch-off

The instrument has an automatic switch-off function in order to save the batteries (see section 4.3.1). The automatic switch-off switches off the meter if no key is pressed for an adjustable period.

Display illumination

The meter automatically switches off the display illumination if no key has been pressed for 15 seconds. The illumination is switched on with the next keystroke again.

You can also generally switch the display illumination on or off (see section 4.3.1).

4.2 General operating principles

This section contains basic information on the operation of the pH 3210.

Operating elements, display

An overview of the operating elements and the display is given in section 1.1 and section 1.2.

Operating modes, navigation

An overview of the operating modes and navigation of the pH 3210 is given in section 4.2.1 and section 4.2.2.

4.2.1 Operating modes

The meter has the following operating modes:

- Measurement
The measurement data of the connected sensor is shown in the measured value display
- Calibration
The course of a calibration with calibration information, functions and settings is displayed
- Storage in memory
The meter stores measuring data manually or automatically
- Setting
The system menu or a sensor menu with submenus, settings and functions is displayed

4.2.2 Navigation

Measured value display

In the measured value display, you can

- open the menu for calibration and measurement settings with **<F1>** (short keystroke).
- open the *Storage & config* menu with the sensor-independent settings by pressing **<F1 __>** (long keystroke, approx. 2 s on **<F1>**).
- change the display in the selected measuring window (e. g. pH <-> mV) by pressing **<M>**.

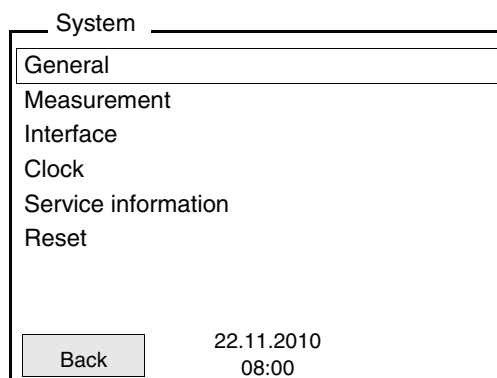
Menus and dialogs

The menus for settings and dialogs in procedures contain further submenus. The selection is made with the **<▲><▼>** keys. The current selection is displayed with a frame.

- Submenus

The name of the submenu is displayed at the upper edge of the frame. Submenus are opened by confirming with **<ENTER>**.

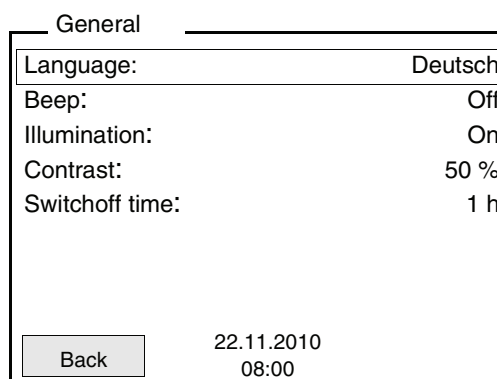
Example:



- Settings

Settings are indicated by a colon. The current setting is displayed on the right-hand side. The setting mode is opened with **<ENTER>**.

Subsequently, the setting can be changed with **<▲><▼>** and **<ENTER>**. Example:



- **Functions**

Functions are designated by the name of the function. They are immediately carried out by confirming with **<ENTER>**.

Example: Display the *Calibration record* function.

pH

Calibration record	
Data storage	
Buffer:	TEC
One point calibration:	Yes
Calibration interval:	7 d
Unit for slope:	mV/pH
<div style="display: flex; justify-content: space-between; align-items: center;"> Back 22.11.2010 08:00 </div>	

Messages

Information is marked by the **i** symbol. It cannot be selected.

Example:

pH

Calibration record	
Data storage	
Buffer:	TEC
One point calibration:	Yes
Calibration interval:	7 d
Unit for slope:	mV/pH
i 2.00 4.01 7.00 10.01	
<div style="display: flex; justify-content: space-between; align-items: center;"> Back 22.11.2010 08:00 </div>	



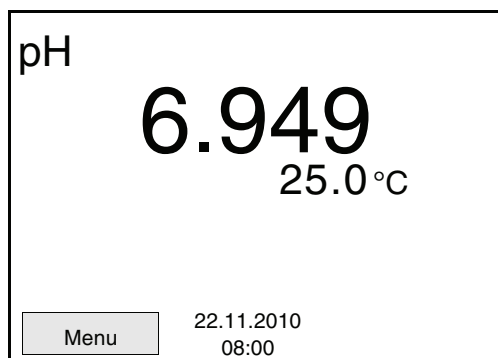
Note

The principles of navigation are explained in the two following sections by reference of examples:

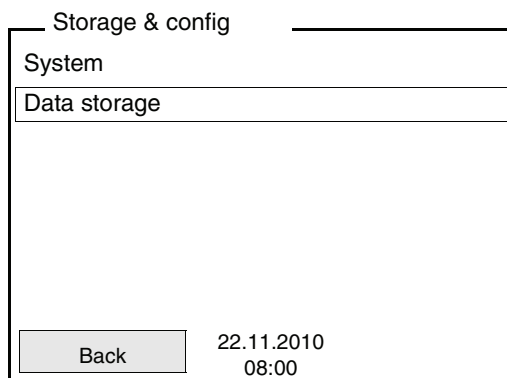
- Setting the language (section 4.2.3)
- Setting the date and time (see section 4.2.4).

4.2.3 Example 1 on navigation: Setting the language

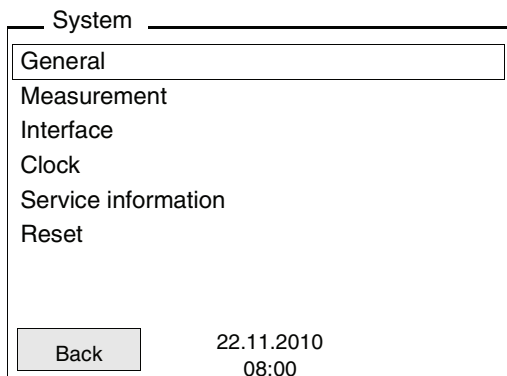
- 1 Press the **<On/Off>** key.
The measured value display appears.
The instrument is in the measuring mode.



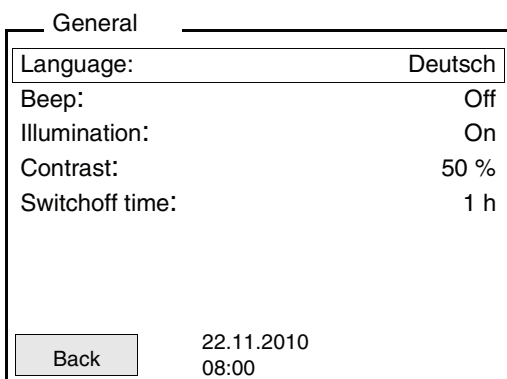
- 2 Using **<F1__>/[Menu]** open the *Storage & config* menu.
The instrument is in the setting mode.



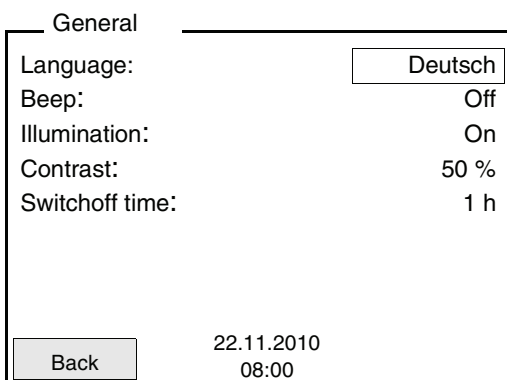
- 3 Select the *System* submenu with **<▲><▼>**.
The current selection is displayed with a frame.
- 4 Open the *System* submenu with **<ENTER>**.



- 5 | Select the *General* submenu with <▲><▼>. The current selection is displayed with a frame.
- 6 | Open the *General* submenu with <ENTER>.



- 7 | Open the setting mode for the *Language* with <ENTER>.



- 8 | Select the required language with <▲><▼>.

- 9 | Confirm the setting with **<ENTER>**.
The meter switches to the measuring mode.
The selected language is active.

4.2.4 Example 2 on navigation: Setting the date and time

The meter has a clock with a date function. The date and time are indicated in the status line of the measured value display. When storing measured values and calibrating, the current date and time are automatically stored as well.

The correct setting of the date and time and date format is important for the following functions and displays:

- Current date and time
- Calibration date
- Identification of stored measured values.

Therefore, check the time at regular intervals.



Note

After a fall of the supply voltage (empty batteries), the date and time are reset to 01.01.2008 00, 00:00 hours.

Setting the date, time and date format

The date format can be switched from the display of day, month, year (*dd.mm.yyyy*) to the display of month, day, year (*mm/dd/yyyy* or *mm.dd.yyyy*).

1	In the measured value display: Using <F1__>/[Menu], open the <i>Storage & config</i> menu. The instrument is in the setting operating mode.
2	Select and confirm the <i>System / Clock</i> menu with <▲><▼> and <ENTER>. The setting menu for the date and time opens up.
3	Select and confirm the <i>Time</i> menu with <▲><▼> and <ENTER>. The hours are highlighted.

Clock	
Date format:	dd.mm.yyyy
Date:	30.10.2008
Time:	14:53:40
<div style="display: flex; justify-content: space-between; align-items: center;"> Back 22.11.2010 08:00 </div>	

4	Change and confirm the setting with <▲><▼> and <ENTER>. The minutes are highlighted.
5	Change and confirm the setting with <▲><▼> and <ENTER>. The seconds are highlighted.
6	Change and confirm the setting with <▲><▼> and <ENTER>. The time is set.
7	If necessary, set the <i>Date</i> and <i>Date format</i> . The setting is made similarly to that of the time.
8	If necessary, select and set the <i>Date</i> with <▲><▼> and <ENTER>.
9	To make further settings, switch to the next higher menu level with <F1>/[Back]. or Switch to the measured value display with <M>. The instrument is in the measuring mode.

4.3 Sensor-independent settings

The *Storage & config* menu comprises the following settings:

- *System* (see section 4.3.1).
- *Data storage* (see section 4.3.1)

4.3.1 System

Overview

The following sensor-independent meter characteristics can be adjusted in the *Storage & config/System* menu:

- Menu language
- Illumination
- Display contrast
- Interval of the automatic switch-off
- Clock and date function
- Reset of all sensor-independent system settings to the default condition

Settings

To open the *Storage & config* menu, press the <F1__>/[Menu] or <ENTER>key in the measured value display. After completing the settings, switch to the measured value display with <M>.

Menu item	Setting	Description
<i>System / General / Language</i>	<i>Deutsch</i> <i>English</i> (further)	Select the menu language
<i>System / General / Illumination</i>	<i>Auto</i> <i>On</i> <i>Off</i>	Switching the display illumination on/off
<i>System / General / Contrast</i>	0 ... 100 %	Changing the display contrast
<i>System / General / Switchoff time</i>	10 min ... 24 h	Adjust the switch-off time
<i>System / Clock</i>	<i>Time</i> <i>Date</i> <i>Date format</i>	Settings of time and date. For details, see section 4.2.4
<i>System / Service information</i>		Hardware version and software version of the meter are displayed.

Menu item	Setting	Description
<i>System / Reset</i>	-	Resets the system settings to the default values. For details, see section 4.6.2

4.3.2 Data storage

This menu contains all functions to display, edit and erase stored measured values and calibration records.

**Note**

Detailed information on the storage functions of the pH 3210 is given in section 4.5.

4.3.3 Automatic *Stability control*

The automatic *Stability control* function continuously checks the stability of the measurement signal. The stability has a considerable impact on the reproducibility of measured values.

You can activate or switch off the automatic *Stability control* function (see section 4.3.1).

The measured parameter flashes on the display

- as soon as the measured value is outside the allowed stability range
- if you switch over between the measured parameters with **<M>**.
- if the automatic *Stability control* function is switched off.

4.4 pH value / ORP voltage

4.4.1 General information

You can measure the following variables:

- pH value []
- ORP [mV]

Temperature measurement

For reproducible pH measurements, it is essential to measure the temperature of the test sample.

You have the following possibilities to measure the temperature:

- Automatic measurement of the temperature by the temperature sensor (NTC30 or Pt1000) integrated in electrode.
- Manual determination and input of the temperature.

The meter recognizes whether a suitable sensor is connected and automatically switches on the temperature measurement.

The display of the temperature indicates the active temperature measuring mode:

Temperature sensor	Resolution of the temp. display	Mode
yes	0.1 °C	Automatic with temperature sensor
-	1 °C	Manual

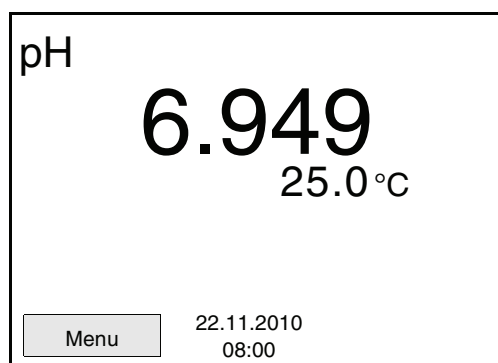
Preparatory activities

Perform the following preparatory activities when you want to measure:

1	Connect a pH or ORP electrode to the meter. The pH measuring window is displayed.
2	If necessary, select the pH or mV display with <M>.
3	Adjust the temperature of the solutions and measure the current temperature if the measurement is made without a temperature sensor.
4	Calibrate or check the meter with the combination electrode.

4.4.2 Measuring the pH value

- | | |
|---|--|
| 1 | Perform the preparatory activities according to section 4.4.1. |
| 2 | Immerse the pH electrode in the test sample. |



- | | |
|---|---|
| 3 | Select the pH or mV display with <M> . |
|---|---|

Stability control (AutoRead)

The stability control function (AutoRead) continually checks the stability of the measurement signal. The stability has a considerable impact on the reproducibility of measured values.

The measured parameter flashes on the display

- as soon as the measured value is outside the stability range
- when the automatic *Stability control* is switched off.

You can start the *Stability control* manually at any time, irrespective of the setting for automatic *Stability control* (see page 26) in the *System* menu.

- | | |
|---|---|
| 1 | Freeze the measured value with <AR> .
The [HOLD] status indicator is displayed.
The HOLD function is active. |
| 2 | Using <ENTER> , activate the <i>Stability control</i> manually.
The [AR] status indicator appears while the measured value is assessed as not stable. A progress bar is displayed and the display of the measured parameter flashes.
The [HOLD][AR] status indicator appears as soon as a stable measured value is recognized. |



Note

You can prematurely terminate the *Stability control* function manually with **<ENTER>** at any time.

- 3 Using <ENTER>, start a further measurement with stability control.
or
Release the frozen measured value again with <AR> or <M>. The [AR] status display disappears. The display switches back to the previous representation.

Criteria for a stable measured value

The *Stability control* function checks whether the measured values are stable within the monitored time interval.

Measured parameter	Time interval	Stability in the time interval
pH value	15 seconds	Δ pH: better than 0.01
Temperature	15 seconds	Δ T (° C): Better than 0.02

The minimum duration until a measured value is assessed as stable is the monitored time interval. The actual duration is mostly longer.

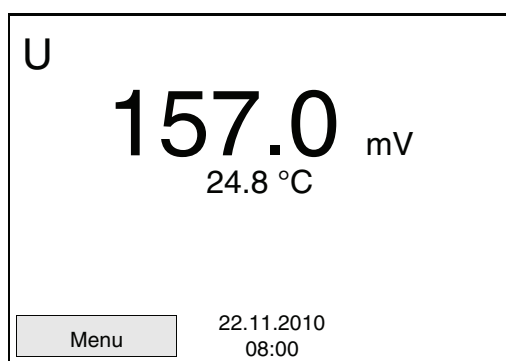
4.4.3 Measuring the ORP



Note

ORP electrodes are not calibrated. However, you can check ORP electrodes using a test solution.

- | | |
|---|--|
| 1 | Perform the preparatory activities according to section 4.4.1. |
| 2 | Submerge the ORP electrode in the sample. |



- | | |
|---|---|
| 3 | Select the mV display with <M> . |
|---|---|

Stability control (AutoRead)

The stability control function (AutoRead) continually checks the stability of the measurement signal. The stability has a considerable impact on the reproducibility of measured values.

The measured parameter flashes on the display

- as soon as the measured value is outside the stability range
- when the automatic *Stability control* is switched off.

You can start the *Stability control* manually at any time, irrespective of the setting for automatic *Stability control* (see page 26) in the *System* menu.

- | | |
|---|---|
| 1 | Freeze the measured value with <AR> .
The [HOLD] status indicator is displayed.
The HOLD function is active. |
|---|---|

- 2 Using **<ENTER>**, activate the *Stability control* function manually.
 The [AR] status indicator appears while the measured value is assessed as not stable. A progress bar is displayed and the display of the measured parameter flashes.
 The [HOLD][AR] status indicator appears as soon as a stable measured value is recognized. The current measurement data are output to the interface.
 Measurement data meeting the stability control criterion are marked by AR.

**Note**

You can prematurely terminate the *Stability control* function manually with **<ENTER>** at any time.

- 3 Using **<ENTER>**, start a further measurement with stability control.
 or
 Release the frozen measured value again with **<AR>** or **<M>**.
 The [AR] status display disappears. The display switches back to the previous representation.

Criteria for a stable measured value

The *Stability control* function checks whether the measured values are stable within the monitored time interval.

Measured parameter	Time interval	Stability in the time interval
ORP	15 seconds	Δ mV: better than 0.3
Temperature	15 seconds	Δ T (° C): Better than 0.02

The minimum duration until a measured value is assessed as stable is the monitored time interval. The actual duration is mostly longer.

4.4.4 Settings for pH and ORP measurements

Overview The following settings are possible for pH and ORP measurements:

- Resolution
- *Calibration interval*
- Buffers for calibration
- Unit of the temperature
- Automatic stability control
- *Unit for slope*
- *Calibration record* (display)

Settings The settings are made in the measuring menu of the pH/ORP measurement. To open the settings, activate the relevant measuring window in the measured value display and press the **<ENTER>** key shortly. After completing the settings, switch to the measured value display with **<M>**.

Menu item	Possible setting	Description
<i>Calibration / Calibration record</i>	-	Displays the calibration record of the last calibration.
<i>Calibration / Buffer</i>	TEC NIST/DIN ConCal ...	Buffer sets to be used for pH calibration. More buffers and details, see section 4.4.5.
<i>Calibration / One point calibration</i>	Yes No	Rapid calibration with 1 buffer
<i>Calibration / Calibration interval</i>	1 ... 999 d	<i>Calibration interval</i> for the pH electrode (in days). The meter reminds you to calibrate regularly by the flashing sensor symbol in the measuring window.
<i>Calibration / Unit for slope</i>	mV/pH %	Unit of the slope. The % display refers to the Nernst slope of -59.16 mV/pH (100 x determined slope/Nernst slope).
<i>Man. temperature</i>	-25 ... +130 °C	Entry of the manually determined temperature. For measurements without temperature sensor only.

Menu item	Possible setting	Description
<i>Temperature unit</i>	°C °F	Temperature unit, degrees Celsius or degrees Fahrenheit. All temperatures are displayed with the selected unit.
<i>Resolution pH</i>	0.001 0.01 0.1	Resolution of the pH display:
<i>Resolution mV</i>	0.1 1	Resolution of the mV display:
<i>Stability control</i>	<i>On / Off</i>	Switches on or off the automatic stability control during measurement (see section 4.3.3)
<i>Reset</i>	-	Resets all sensor settings to the delivery condition (see section 4.6.1).

4.4.5 pH calibration

Why calibrate?

pH combination electrodes age. This changes the zero point (asymmetry) and slope of the pH combination electrode. As a result, an inexact measured value is displayed. Calibration determines and stores the current values of the zero point and slope of the electrode. Thus, you should calibrate at regular intervals.

When do you have to calibrate?

- After connecting another combination electrode
- When the calibration interval has expired

Buffer sets for calibration

You can use the buffer sets quoted in the table for an automatic calibration. The pH values are valid for the specified temperature values. The temperature dependence of the pH values is taken into consideration during the calibration.

No.	Buffer set*	pH values	at
1	<i>ConCal</i>	Any	Any
2	<i>NIST/DIN</i> DIN buffers according to DIN 19266 and NIST Traceable Buffers	1,679 4,006 6,865 9,180 12,454	25 °C
3	<i>TEC</i> WTW Technical buffers	2,000 4,010 7,000 10,011	25 °C
4	<i>Merck 1*</i>	4,000 7,000 9,000	20 °C
5	<i>Merck 2*</i>	1,000 6,000 8,000 13,000	20 °C
6	<i>Merck 3*</i>	4,660 6,880 9,220	20 °C
7	<i>Merck 4*</i>	2,000 4,000 7,000 10,000	20 °C
8	<i>Merck 5*</i>	4,010 7,000 10,000	25 °C

No.	Buffer set*	pH values	at
9	<i>DIN 19267</i>	1,090 4,650 6,790 9,230	25 °C
10	<i>Mettler Toledo USA *</i>	1,679 4,003 7,002 10,013	25 °C
11	<i>Mettler Toledo EU *</i>	1,995 4,005 7,002 9,208	25 °C
12	<i>Fisher *</i>	2,007 4,002 7,004 10,002	25 °C
13	<i>Fluka BS *</i>	4,006 6,984 8,957	25 °C
14	<i>Radiometer *</i>	1,678 4,005 7,000 9,180	25 °C
15	<i>Baker *</i>	4,006 6,991 10,008	25 °C
16	<i>Metrohm *</i>	3,996 7,003 8,999	25 °C
17	<i>Beckman *</i>	4,005 7,005 10,013	25 °C
18	<i>Hamilton Duracal *</i>	4,005 7,002 10,013	25 °C
19	<i>Precisa *</i>	3,996 7,003 8,999	25 °C

No.	Buffer set*	pH values	at
20	<i>Reagecon TEC</i> *	2,000 4,010 7,000 10,000	25 °C
21	<i>Reagecon 20</i> *	2,000 4,000 7,000 10,000 13,000	20 °C
22	<i>Reagecon 25</i> *	2,000 4,000 7,000 10,000 13,000	25 °C
23	<i>Chemsolute</i> *	4,000 7,000 10,000	20 °C
24	<i>USABlueBook</i> *	4,000 7,000 10,000	20 °C

* Brand names or trade names are trademarks of their respective owners protected by law.



Note

The buffers are selected in the menu, pH / <F1>/[Menu] / Calibration / Buffer (see page 32).

Calibration points

Calibration can be performed using one to five buffer solutions in any order (single-point to five-point calibration). The meter determines the following values and calculates the calibration line as follows:

	Determined values	Displayed calibration data
1-point	<i>Asy</i>	<ul style="list-style-type: none"> ● Zero point = <i>Asy</i> ● Slope = Nernst slope (-59.16 mV/pH at 25 °C)
2-point	<i>Asy</i> <i>Slp.</i>	<ul style="list-style-type: none"> ● Zero point = <i>Asy</i> ● Slope = <i>Slp.</i>

	Determined values	Displayed calibration data
3-point to 5-point	<i>Asy</i> <i>Slp.</i>	<ul style="list-style-type: none"> ● Zero point = <i>Asy</i> ● Slope = <i>Slp.</i> The calibration line is calculated by linear regression.



Stability control

Note

You can display the slope in the units, mV/pH or % (see page 24).

The calibration procedure automatically activates the stability control function. The current measurement with stability control can be terminated at any time (accepting the current value).

Calibration record

The new calibration values are displayed when the calibration is finished.

Display calibration

You can have the data of the last calibration displayed (see page 50).

Calibration evaluation

After calibrating, the meter automatically evaluates the calibration. The zero point and slope are evaluated separately. The worse evaluation of both is taken into account. The evaluation appears on the display and in the calibration record.

Display	Calibration record	Zero point [mV]	Slope [mV/pH]
	+++	-15 ... +15	-60.5 ... -58
	++	-20 ... +20	-58 ... -57
	+	-25 ... +25	-61 ... -60.5 or -57 ... -56
	-	-30 ... +30	-62 ... -61 or -56 ... -50
Clean the combination electrode according to the electrode operating manual			
<i>Error</i>	<i>Error</i>	< -30 or > 30	... -62 or ... -50

Display	Calibration record	Zero point [mV]	Slope [mV/pH]
Eliminate the error according to chapter 6 WHAT TO DO IF... (page 55)			

Preparatory activities

Perform the following preparatory activities when you want to calibrate:

1	Connect the pH combination electrode to the meter. The pH measuring window is displayed.
2	Keep the buffer solutions ready. Adjust the temperature of the buffer solutions, or measure the current temperature, if you measure without a temperature sensor.

4.4.6 Calibration interval

The calibration evaluation is indicated on the display as a sensor symbol.

The sensor symbol flashes after the adjusted calibration interval has expired. It is still possible to measure.

**Note**

To ensure the high measuring accuracy of the measuring system, calibrate after the calibration interval has expired.

Setting the calibration interval

The calibration interval is set to 7 days (d7) in the factory. You can change the interval (1 ... 999 days):

1	Open the menu for measurement settings with <F1>/[Menu].
2	In the <i>Calibration / Calibration interval</i> menu, set the calibration interval with <▲><▼>.
3	Confirm the setting with <ENTER>.
4	Exit the menu with <M>.

4.4.7 Carrying out an automatic calibration (AutoCal)

Make sure that in the sensor menu, *Buffer* menu, the buffer set is correctly selected (see page 32).

Use any one to five buffer solutions of the selected buffer set in ascending or descending order.

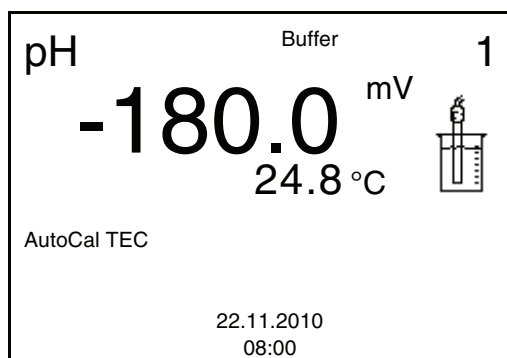
Below, calibration with Technical buffers (TEC) is described. When other buffer sets are used, other nominal buffer values are displayed. Apart from that, the procedure is identical.



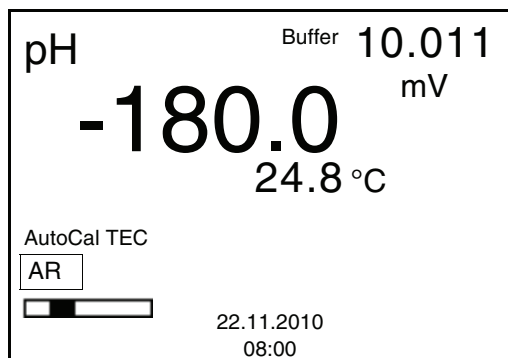
Note

If single-point calibration was set in the menu, the calibration procedure is automatically finished with the measurement of buffer solution 1 and the calibration record is displayed.

1	In the measured value display, select the measured parameter, pH or mV with <M> .
2	Start the calibration with <CAL> . The calibration display for the first buffer appears (voltage display).



3	Thoroughly rinse the electrode with deionized water.
4	Immerse the electrode in buffer solution 1.
5	When measuring without temperature sensor: Measure the temperature of the buffer manually and enter it with <▲><▼> .
6	Start the measurement with <ENTER> . The measured value is checked for stability (stability control). The [AR] status indicator is displayed. The measured parameter flashes.



- 7 | Wait for the end of the measurement with stability control or accept the calibration value with **<ENTER>**.
The calibration display for the next buffer appears.
- 8 | If necessary, terminate the calibration as a single-point calibration with **<M>**.
The calibration record is displayed.

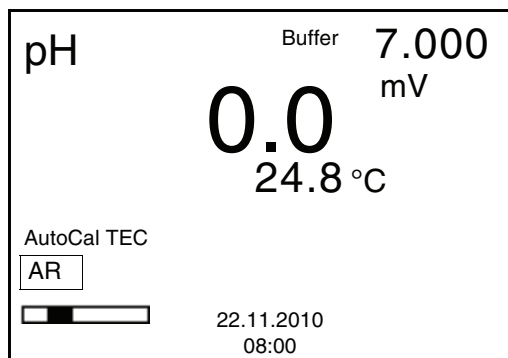


Note

For **single-point calibration**, the instrument uses the Nernst slope (-59.16 mV/pH at 25 °C) and determines the zero point of the electrode.

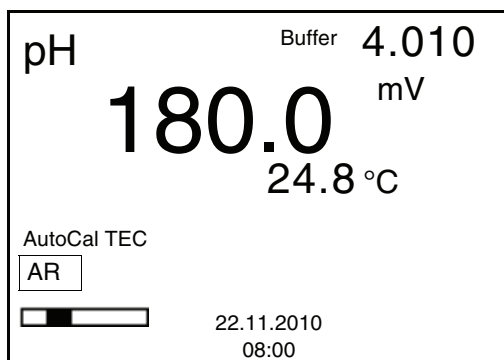
Continuing with two-point calibration

- 9 | Thoroughly rinse the electrode with deionized water.
- 10 | Immerse the electrode in buffer solution 2.
- 11 | When measuring without temperature sensor:
Measure the temperature of the buffer manually and enter it with **<▲><▼>**.
- 12 | Start the measurement with **<ENTER>**.
The measured value is checked for stability (stability control).
The [AR] status indicator is displayed. The measured parameter flashes.



Continuing with three- to five-point calibration

- | | |
|----|--|
| 13 | Wait for the measurement with stability control to be completed or terminate the stability control and take over the calibration value with <ENTER> .
The calibration display for the next buffer appears. |
|----|--|
- | | |
|----|--|
| 14 | If necessary, terminate the calibration as a two-point calibration with <M> .
The calibration record is displayed. |
|----|--|
- | | |
|----|--|
| 15 | Thoroughly rinse the combination electrode with deionized water. |
|----|--|
- | | |
|----|---|
| 16 | Immerse the electrode in buffer solution 3. |
|----|---|
- | | |
|----|--|
| 17 | When measuring without temperature sensor:
Measure the temperature of the buffer manually and enter it with <▲><▼> . |
|----|--|
- | | |
|----|--|
| 18 | Start the measurement with <ENTER> .
The measured value is checked for stability (stability control).
The [AR] status indicator is displayed. The measured parameter flashes. |
|----|--|



- | | |
|----|--|
| 19 | Wait for the measurement with stability control to be completed or terminate the stability control and take over the calibration value with <ENTER> .
The calibration display for the next buffer appears (voltage display). |
|----|--|
- | | |
|----|---|
| 20 | If necessary, use <M> to finish the calibration.
The calibration record is displayed.
or
Switch to calibration with the next buffer with <ENTER> . |
|----|---|



Note
Calibration is automatically completed after the last buffer of a buffer set has been measured. Then the calibration record is displayed.
The calibration line is determined by linear regression.

4.4.8 Carrying out a manual calibration (ConCal)

Make sure that in the sensor menu, *Buffer* menu, the *ConCal* buffer set is correctly selected (see page 32).

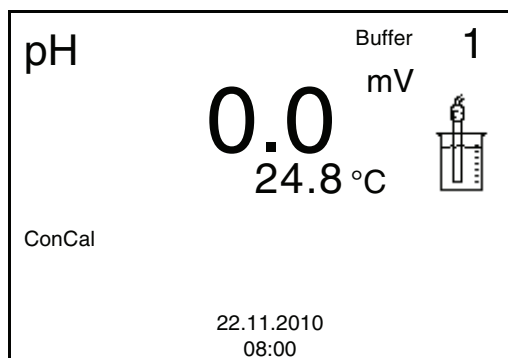
Use any one to five buffer solutions in ascending or descending order.



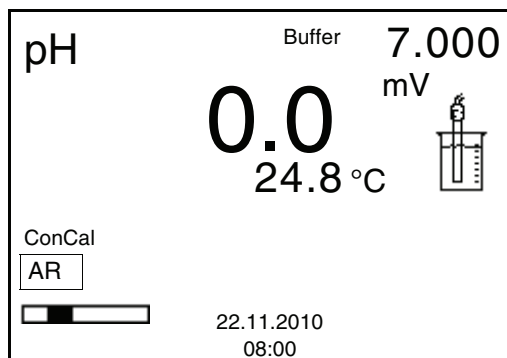
Note

If single-point calibration was set in the menu, the calibration procedure is automatically finished with the measurement of buffer solution 1 and the calibration record is displayed.

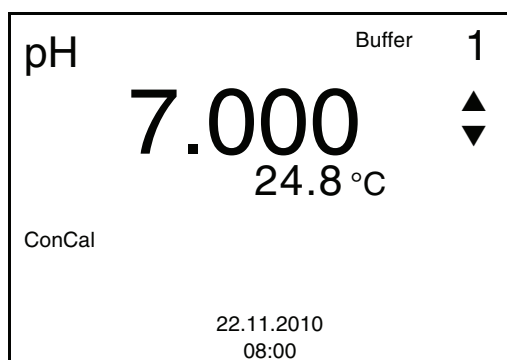
1	In the measured value display, select the measured parameter pH or mV with <M> .
2	Start the calibration with <CAL> . The calibration display appears.



3	Thoroughly rinse the combination electrode with deionized water.
4	Immerse the electrode in buffer solution 1.
5	When measuring without temperature sensor: Measure the temperature of the buffer manually and enter it with <▲><▼> .
6	Start the measurement with <ENTER> . The measured value is checked for stability (stability control). The [AR] status indicator is displayed. The measured parameter flashes.



- 7 Wait for the measurement with stability control to be completed.
Set the nominal buffer value for the measured temperature with <▲><▼>.



- 8 Set the nominal buffer value for the measured temperature with <▲><▼>.
- 9 Accept the calibration value with <ENTER>. The calibration display for the next buffer appears (voltage display).
- 10 If necessary, terminate the calibration as a single-point calibration with <M>. The calibration record is displayed.

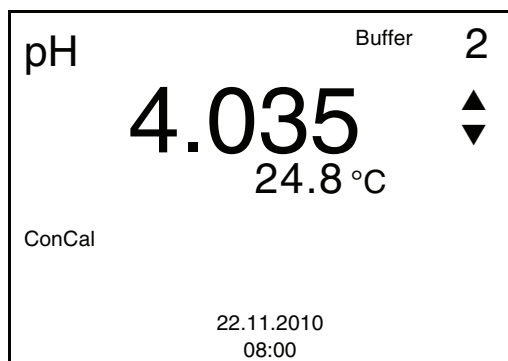


Note

For **single-point calibration**, the instrument uses the Nernst slope (-59.16 mV/pH at 25 °C) and determines the zero point of the electrode.

Continuing with two-point calibration

11	Thoroughly rinse the combination electrode with deionized water.
12	Immerse the electrode in buffer solution 2.
13	When measuring without temperature sensor: Measure the temperature of the buffer manually and enter it with <▲><▼>.
14	Start the measurement with <ENTER>. The measured value is checked for stability (stability control). The [AR] status indicator is displayed. The measured parameter flashes.
15	Wait for the measurement with stability control to be completed or terminate the stability control and take over the calibration value with <ENTER>. The pH value of the buffer solution is displayed.

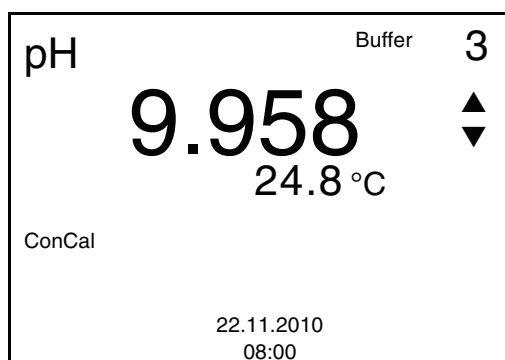


16	Set the nominal buffer value for the measured temperature with <▲><▼>.
17	Accept the calibration value with <ENTER>. The calibration display for the next buffer appears (voltage display).
18	If necessary, finish the calibration procedure as a two-point calibration with <M>. The calibration record is displayed.

Continuing with three-to five-point calibration

19	Thoroughly rinse the electrode with deionized water.
20	Immerse the electrode in the next buffer solution.
21	When measuring without temperature sensor: Measure the temperature of the buffer manually and enter it with <▲><▼>.

- | | |
|----|---|
| 22 | Start the measurement with <ENTER> .
The measured value is checked for stability (stability control).
The [AR] status indicator is displayed. The measured parameter flashes. |
| 23 | Wait for the measurement with stability control to be completed or terminate the stability control and take over the calibration value with <ENTER> .
The pH value of the buffer solution is displayed. |



- | | |
|----|---|
| 24 | Set the nominal buffer value for the measured temperature with <▲><▼> . |
| 25 | Accept the calibration value with <ENTER> .
The calibration display for the next buffer appears (voltage display). |
| 26 | If necessary, use <M> to finish the calibration.
The calibration record is displayed.
or
Continue calibrating using the next buffer with <ENTER> . |

**Note**

After the fifth buffer has been measured the calibration is automatically finished. Then the calibration record is displayed.
The calibration line is determined by linear regression.

4.4.9 Displaying calibration records**Displaying the calibration record**

The calibration record of the last calibration is to be found under the menu item, *Calibration / Calibration record*. To open it in the measured value display, press the **<CAL__>** key.

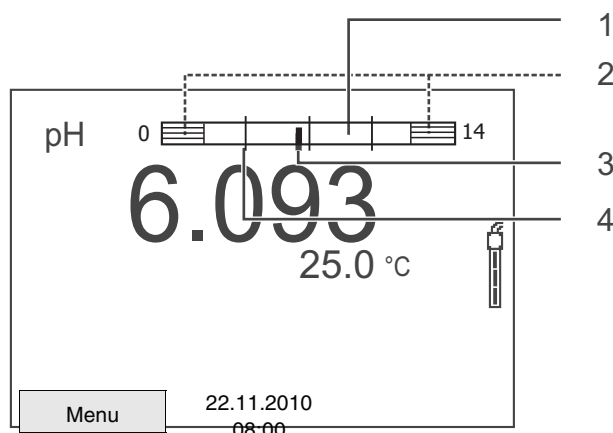
The calibration records of the last calibrations (up to 10) are available in the menu, **<F1>/[Menu] / Calibration / Calibration data storage** and in the menu, **<F1 __>/[Menu] / Storage & config/Data storage / Calibration data storage**.

4.4.10 Continuous measurement control (CMC function)

The continuous measurement control (CMC function) enables to quickly and safely evaluate the current measured value at a glance.

After each successful calibration, the scale of the pH measuring range is displayed in the measured value display. Here you can very easily see whether or not the current measured value is in the calibrated part of the measuring range.

The following information is displayed:



1	Measuring range for which a valid calibration is available (white). Measured values in this range are suitable for documentation.
2	Measuring range for which no valid calibration is available (shaded). Measured values in this range are not suitable for documentation. If necessary, calibrate the meter with buffers covering this measuring range. If the current measured value is outside the calibrated range, this area is shaded stronger. If a measured value is outside the measuring range pH 0 - 14, overflow arrows are displayed at the left or right edge of the measuring range.
3	Current measured pH value (pointer)
4	Line marks for all nominal buffer values used for the last valid calibration

The limits of the calibrated range are determined by the buffers used for calibration:

Lower limit:	Buffer with the lowest pH value minus 2 pH units
Upper limit:	Buffer with the highest pH value plus 2 pH units

4.5 Storage

You can transmit measured values (datasets) to the data storage:

- Manual storage (see section 4.5.1)

Measurement dataset

A complete dataset consists of:

- Date/time
- Measured value of the connected sensor
- Measured temperature value of the connected sensor
- AutoRead info: *AR* appears with the measured value if the AutoRead criterion was met while storing (stable measured value). Otherwise, the *AR* display is missing.
- Calibration evaluation: +++, ++, +, -, or no evaluation

Storage locations

The pH 3210 meter has a measurement data memory.

Storage	Maximum number of datasets
<i>Manual data storage</i>	200

4.5.1 Manual storage

You can transmit a measurement dataset to the data storage as follows:

- 1 Press the **<STO>** key shortly.
The menu for manual storage appears.

- 2 If necessary, change and confirm the ID number (1 ... 10000) with **<▲><▼>** and **<ENTER>**.
The dataset is stored. The instrument switches to the measured value display.

If the storage is full

The following window appears if all 200 storage locations are occupied:

You have the following options:

- To erase the entire storage, confirm *Yes*.
- To cancel the storage process and switch to the measured value display, confirm *No*.

4.5.2 Editing the measured value storage

The contents of the manual or automatic measurement data storage can be shown on the display.

The measurement data storage has a function to erase the entire contents.

Editing the data storage

The storage is edited in the menu, *Storage & config/ Data storage*. To open the *Storage & config* menu, press the <F1__>/[Menu] key in the measured value display.

Settings

Menu item	Setting/ function	Description
<i>Data storage / Manual data storage / Display</i>	-	Displays all measurement datasets page by page. Further options: ● Scroll through the datasets with <▲><▼>. ● Quit the display with <F1>/[Back].
<i>Data storage / Manual data storage / Erase</i>	-	Erases the entire manual measurement data storage. Note: All calibration data remains stored when this action is performed.

Display presentation of a dataset

Manual data storage	3 of 64	◀▶
30.10.2008 11:24:16 ID number: 1		
pH 7.000 24.8 °C AR +++		
Back	22.11.2010	08:00

Quitting the display

To quit the display of stored measuring datasets, you have the following options:

- Switch directly to the measured value display with <M>.
- Quit the display and move to the next higher menu level with <F1>/[Back].

4.5.3 Erasing the measurement data storage

How to erase the measurement data storage is described in section 4.5.2 EDITING THE MEASURED VALUE STORAGE.

4.6 Reset

You can reset (initialize) all sensor settings and sensor-independent settings separately from each other.

4.6.1 Resetting the measurement settings



Note

The calibration data are reset to the default settings together with the measuring parameters. Recalibrate after performing a reset.

pH

The following settings for pH measurements are reset to the default settings with the *Reset* function:

Setting	Default settings
<i>Buffer</i>	TEC
<i>Cal. interval</i>	7 d
<i>Unit for slope</i>	mV/pH
Measured parameter	pH
Resolution pH	0.001
Resolution mV	0.1
Asymmetry	0 mV
Slope	-59.16 mV
<i>Man. temperature</i>	25 °C
<i>One point calibration</i>	<i>Off</i>

The sensor settings are reset under the *Reset* menu item in the measuring menu. To open the settings, activate the relevant measuring window in the measured value display and press the <F1>/[Menu] key shortly.

4.6.2 Resetting the system settings

The following system settings can be reset to the delivery status:

Setting	Default settings
<i>Language</i>	English
<i>Temperature unit</i>	°C
<i>Beep</i>	On
<i>Contrast</i>	50 %
<i>Illumination</i>	On
<i>Switchoff time</i>	1 h

The system settings are reset in the menu, *Storage & config / System / Reset*. To open the *Storage & config* menu, press the <F1 __>/[Menu] key in the measured value display.

5 Maintenance, cleaning, disposal

5.1 Maintenance

The only maintenance activity required is replacing the batteries.

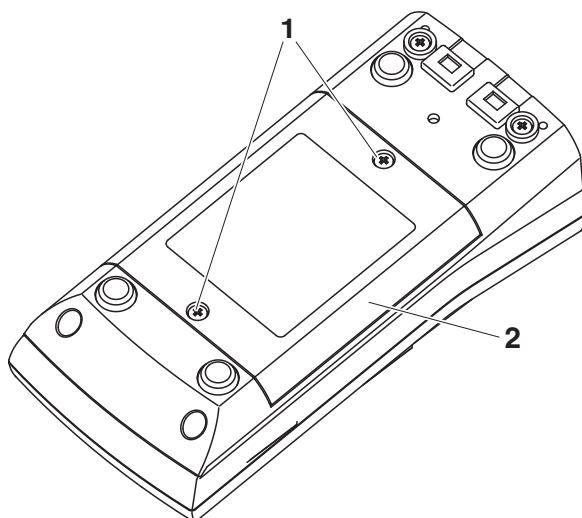


Note

See the relevant operating manuals of the combination electrodes for instructions on maintenance.

5.1.1 Replacing the batteries

1	Unscrew the two screws (1) on the underside of the meter.
2	Open the battery compartment (2) on the underside of the meter.



3	Remove the four batteries from the battery compartment.
4	Place four new batteries (type Mignon AA) in the battery compartment.



Note

Alternatively, you can also use Ni-MH rechargeable batteries (type Mignon AA). In order to charge the batteries, an external charging device is required.



Caution

Make sure that the poles of the batteries are positioned correctly. The \pm signs on the batteries must correspond to the \pm signs in the battery compartment.

- 5 Close the battery compartment (2) and tighten the screws (1).

5.2 Cleaning

Occasionally wipe the outside of the meter with a damp, lint-free cloth. Disinfect the housing with isopropanol as required.



Caution

The housing is made of synthetic material (ABS). Thus, avoid contact with acetone or similar detergents that contain solvents. Remove any splashes immediately.

5.3 Packing

This meter is sent out in a protective transport packing. We recommend: Keep the packing material. The original packing protects the meter against damage during transport.

5.4 Disposal



Note

This meter contains batteries. Batteries that have been removed must only be disposed of at a recycling facility set up for this purpose or via the retail outlet.

It is illegal to dispose of it in household refuse.

6 What to do if...

Error message *OFL, UFL*

Cause	Remedy
pH combination electrode:	
– Measured value outside the measuring range	– Use suitable combination electrode
– Air bubble in front of the junction	– Remove air bubble
– Air in the junction	– Extract air or moisten junction
– Cable broken	– Replace combination electrode
– Gel electrolyte dried out	– Replace combination electrode

Error message *Error*

Cause	Remedy
pH combination electrode:	
– The values determined for zero point and slope of the combination electrode are outside the allowed limits.	– Recalibrate
– Junction contaminated	– Clean junction
– Combination electrode broken	– Replace combination electrode
Buffer solutions:	
– Incorrect buffer solutions	– Change calibration procedure
– Buffer solutions too old	– Use only once. Note the shelf life
– Buffer solutions depleted	– Change solutions

No stable measured value

Cause	Remedy
pH combination electrode:	
– Junction contaminated	– Clean junction
– Membrane contaminated	– Clean membrane
Test sample:	
– pH value not stable	– Measure with air excluded if necessary
– Temperature not stable	– Adjust temperature if necessary
Combination electrode + test sample:	
– Conductivity too low	– Use suitable combination electrode
– Temperature too high	– Use suitable combination electrode
– Organic liquids	– Use suitable combination electrode

Sensor symbol flashes

Cause	Remedy
– Calibration interval expired	– Recalibrate the measuring system

Display

Cause	Remedy
– batteries almost empty	– Replace the batteries (see section 5.1 MAINTENANCE)

Obviously incorrect measured values	Cause	Remedy
	pH combination electrode:	
	– pH combination electrode unsuitable	– Use suitable combination electrode
	– Temperature difference between buffer and test sample too high	– Adjust temperature of buffer or sample solutions
	– Measurement procedure not suitable	– Follow special procedure
Meter does not react to keystroke	Cause	Remedy
	– Operating condition undefined or EMC load unallowed	– Processor reset: Press the <ENTER> and <On/Off> key simultaneously
You want to know which software version is in the meter	Cause	Remedy
	– E. g., a question by the service department	– Switch on the meter. Open the menu, <F1__> [Menu] / <i>Storage & config / System / Service information</i> . The instrument data is displayed.

7 Technical data

7.1 General data

Dimensions	approx. 180 x 80 x 55 mm	
Weight	approx. 0.4 kg	
Mechanical structure	Type of protection	IP 67
Electrical safety	Protective class	III
Test certificates	CE, cETLus	
Ambient conditions	Storage	- 25 °C ... + 65 °C
	Operation	-10 °C ... + 55 °C
	Allowable relative humidity	Annual mean: < 75 % 30 days/year: 95 % Other days: 85 %
Power supply	Batteries	4 x 1.5 V alkali-manganese batteries, type AA
	Rechargeable batteries	4 x 1,2 V NiMH rechargeable batteries, type AA (no charging function)
	Operational life	up to 1000 h without / 150 h with illumination
Sensor input	Input resistance	> 5 * 10 ¹² ohm
	Input current	< 1 * 10 ⁻¹² A
Guidelines and norms used	EMC	EC directive 2004/108/EC EN 61326-1 EN 61000-3-2 EN 61000-3-3 FCC Class A
	Meter safety	EC directive 2006/95/EC EN 61010-1
	IP protection class	EN 60529

7.2 Measuring ranges, resolution, accuracy

Measuring ranges, resolution

Variable	Measuring range	Resolution
pH	- 2.0 ... + 20.0	0.1
	- 2.00 ... + 20.00	0.01
	- 2.000 ... + 19.999	0.001
U [mV]	- 1200.0 ... + 1200.0	0.1
	- 2500 ... + 2500	1
T [°C]	- 5.0 ... + 105.0	0.1
T [°F]	23.0 ... + 221.0	0.1

Manual temperature input

Variable	Range	Increment
T _{manual} [°C]	- 25 ... + 130	1
T _{manual} [°F]	-13 ... + 266	1

Accuracy (± 1 digit)

Variable	Accuracy	Temperature of the test sample
pH / range *		
- 2.0 ... + 20.0	± 0.1	+ 15 °C ... + 35 °C
- 2.00 ... + 20.00	± 0.01	+ 15 °C ... + 35 °C
- 2.000 ... + 19.999	± 0.005	+ 15 °C ... + 35 °C
U [mV] / range		
- 2500 ... + 2500	± 1	+ 15 °C ... + 35 °C
-1200.0 ... +1200.0	± 0.3	+ 15 °C ... + 35 °C
T [°C] / temperature sensor		
NTC 30	± 0.1	
PT 1000	± 0.1	

* when measuring in a range of ± 2 pH around a calibration point



Note

The accuracy values specified here apply exclusively to the meter. The accuracy of the combination electrodes and buffer solutions has to be taken into account additionally.

FCC Class A Equipment Statement

Note: This equipment has been tested and found to comply with the limits for a Class A digital device, pursuant to Part 15 of the FCC Rules. These limits are designed to provide reasonable protection against harmful interference when the equipment is operated in a commercial environment. This equipment generates, uses, and can radiate radio frequency energy and, if not installed and used in accordance with the instruction manual, may cause harmful interference to radio communications. Operation of this equipment in a residential area is likely to cause harmful interference in which case the user will be required to correct the interference at his own expense. Changes or modifications not expressly approved by the manufacturer could void the user's authority to operate the equipment.

8 Lists

This chapter provides additional information and orientation aids.

Specialist terms The glossary briefly explains the meaning of the specialist terms. However, terms that should already be familiar to the target group are not described here.

Index The index will help you to find the topics that you are looking for.

Glossary

Adjusting To manipulate a measuring system so that the relevant value (e. g. the displayed value) differs as little as possible from the correct value or a value that is regarded as correct, or that the difference remains within the tolerance.

Asymmetry see zero point

AutoRange Name of the automatic selection of the measuring range.

Calibration Comparing the value from a measuring system (e. g. the displayed value) to the correct value or a value that is regarded as correct. Often, this expression is also used when the measuring system is adjusted at the same time (see adjusting).

Electromotive force of a combination electrode The electromotive force U of the combination electrode is the measurable electromotive force of a combination electrode in a solution. It equals the sum of all the galvanic voltages of the combination electrode. Its dependency on the pH results in the electrode function, which is characterized by the parameters, slope and zero point.

Junction The junction is a porous body in the housing wall of reference electrodes or electrolyte bridges. It arranges the electrical contact between two solutions and makes the electrolyte exchange more difficult. The expression, junction, is also used for ground or junctionless transitions.

Measured parameter The measured parameter is the physical dimension determined by measuring, e. g. pH, conductivity or D.O. concentration.

Measured value The measured value is the special value of a measured parameter to be determined. It is given as a combination of the numerical value and unit (e. g. 3 m; 0.5 s; 5.2 A; 373.15 K).

Molality	Molality is the quantity (in Mol) of a dissolved substance in 1000 g solvent.
ORP voltage	The ORP is caused by oxidizing or reducing substances dissolved in water, if these substances become effective at an electrode surface (e. g. a gold or platinum surface).
pH value	The pH is a measure of the acidic or basic effect of an aqueous solution. It corresponds to the negative decadic logarithm of the molal hydrogen ions activity divided by the unit of the molality. The practical pH value is the value of a pH measurement.
Potentiometry	Name of a measuring technique. The signal (depending on the measured parameter) of the electrode is the electrical potential. The electrical current remains constant.
Reset	Restoring the original condition of all settings of a measuring system.
Resolution	Smallest difference between two measured values that can be displayed by a meter.
Slope	The slope of a linear calibration function.
Stability control (AutoRead)	Function to control the measured value stability.
Standard solution	The standard solution is a solution where the measured value is known by definition. It is used to calibrate a measuring system.
Test sample	Designation of the test sample ready to be measured. Normally, a test sample is made by processing the original sample. The test sample and original sample are identical if the test sample was not processed.
Zero point	The zero point of a pH combination electrode is the pH value at which the electromotive force of the pH combination electrode at a specified temperature is zero. Normally, this is at 25 °C.

Index

A

Authorized use	10
Automatic switch-off	15
AutoRead	
pH	28, 30

B

Battery compartment	13, 53
---------------------------	--------

C

Calibration	
pH	34
Calibration evaluation	
pH	37
Calibration interval	38
Calibration points	
pH	36

D

Dataset	47
Date and time	22
Default settings	
Measured parameter	51
System settings	52
Display	7

E

Energy saving feature	14
-----------------------------	----

I

Initial commissioning	13, 14
Initialize	51
Interval	
calibration	38

K

Keys	6
------------	---

M

Measured value display	17
Measurement accuracy	38
Measurement data memory	
Edit	49
Erase	49

Storage locations	47
-------------------------	----

Measurement dataset	47
---------------------------	----

Measuring	
ORP	30
pH	28

Measuring menu	
pH/ORP	32

Menus (navigation)	17
--------------------------	----

Messages	18
----------------	----

O

Operational safety	10
--------------------------	----

P

pH buffer sets	34
Precautions	9

R

Reset	51
-------------	----

S

Safety	9
Saving	47
Scope of delivery	13
Setting the date	14
Setting the time	14
Single-point calibration	
pH	40, 43
Slope	
pH	34
Socket field	8
Stability control	
Automatic	26

T

Temperature measurement	
pH	27
Three-point calibration	
pH	41, 44
Two-point calibration	
pH	40, 44

Z

Zero point of pH combination electrode ...	34
--	----



Wissenschaftlich-Technische Werkstätten GmbH

Dr.-Karl-Slevogt-Straße 1
D-82362 Weilheim

Germany

Tel: +49 (0) 881 183-0
+49 (0) 881 183-100
Fax: +49 (0) 881 183-420
E-Mail: Info@WTW.com
Internet: <http://www.WTW.com>