



06 Camino De Los Desmontes, Placitas, New Mexico 87043 505-867-0008

**Operation Instructions  
for  
Model 1060  
1 liter Bag Sampler**

Rev 2-14

**CAUTION:  
Read rules for safe operation carefully.**

**Dedicated to Developing State of the Art Environmental Equipment**

# 1 Liter Bag Sampler, Model 1060

The Model 1060 air sampler will fill a 1 liter sample bag in less than 1 minute **without** having the sample gas go through a pump. The high capacity pumping system can deliver eight hours of continuous sampling. Sampler includes flow control, see through window, and 12volt rechargeable battery.

## FEATURES & SPECIFICATIONS:

Zero sample contamination design  
12 inches of mercury direct vacuum force  
Portable rugged vacuum tight enclosure  
4.3 liters/min vacuum flowrate  
8 hours of continuous running  
Sample inlet: 1/4"DIA tubing  
Dimensions: 6" x 8" x 9.3"  
Weight: 5 LBS

## OPTIONAL EQUIPMENT:

441 115VAC Battery Charger  
448 115/230VAC Universal Charge  
442 Battery

## 1 YEAR WARRANTY

This product is warranted to the original purchaser to be free from defective materials and workmanship. Under this warranty the product will be repaired or replaced at our option, without charge for parts or labor. This warranty does not apply to the battery or battery charger. The period of this warranty covers 1 year on parts and labor from date of original purchase. This warranty entitles the original purchaser to have the warranted parts and labor rendered at no cost for the period of the warranty described above when the instrument is carried or shipped, prepaid to our factory.

### RULES FOR SAFE OPERATION

1. Wear safety glasses when using this equipment.
2. Do not recharge battery in an explosive environment.
3. Do not over fill sample bag. The vacuum pump is strong enough to break the sample bag.
4. Exercise extreme caution when filling sample bag with explosive gases.

# 1 Liter Bag Sampler, Model 1060

## I. SAMPLE PREPARATION AND COLLECTION:

1. Place the sample bag inside sampler and close sampler lid.
2. Insert a 6" long piece of 1/4"ODX1/8"ID Tygon© tubing through the Inlet Tube Fitting.
3. Adjust length of tubing so half of the tubing is inside the sampler.
4. Tighten the inlet tube fitting just enough to create a seal around the Tygon© tubing.
5. Attach the inside portion of the Tygon© tubing to the inlet valve on the sample bag.
6. Open sample valve on the sample bag and close the lid of the sampler.
7. Make sure the Purge Valve is closed (Closed for fastest fill rate, Open to slow fill rate).
8. Turn on the sample pump.
9. To ensure proper sample bag preparation, fill & empty the new sample bag at least three times with a clean gas. To empty the sample bag using the sampler pump: disconnect the tubing at the Outlet Vacuum Port; Attach a short piece of 1/4"ODX1/8"ID Tygon© tubing from the Pump Discharge Port to the Outlet Vacuum Port to create a pressure inside the sample chamber.
10. Fill pre purged sample bag for collection and analysis.
11. Turn off sample pump, open Purge Valve, open sampler lid, CLOSE SAMPLE BAG VALVE and remove sample bag from inlet tubing.

CAUTION: It is recommended that you give the battery an overnight charge after six hours of use.

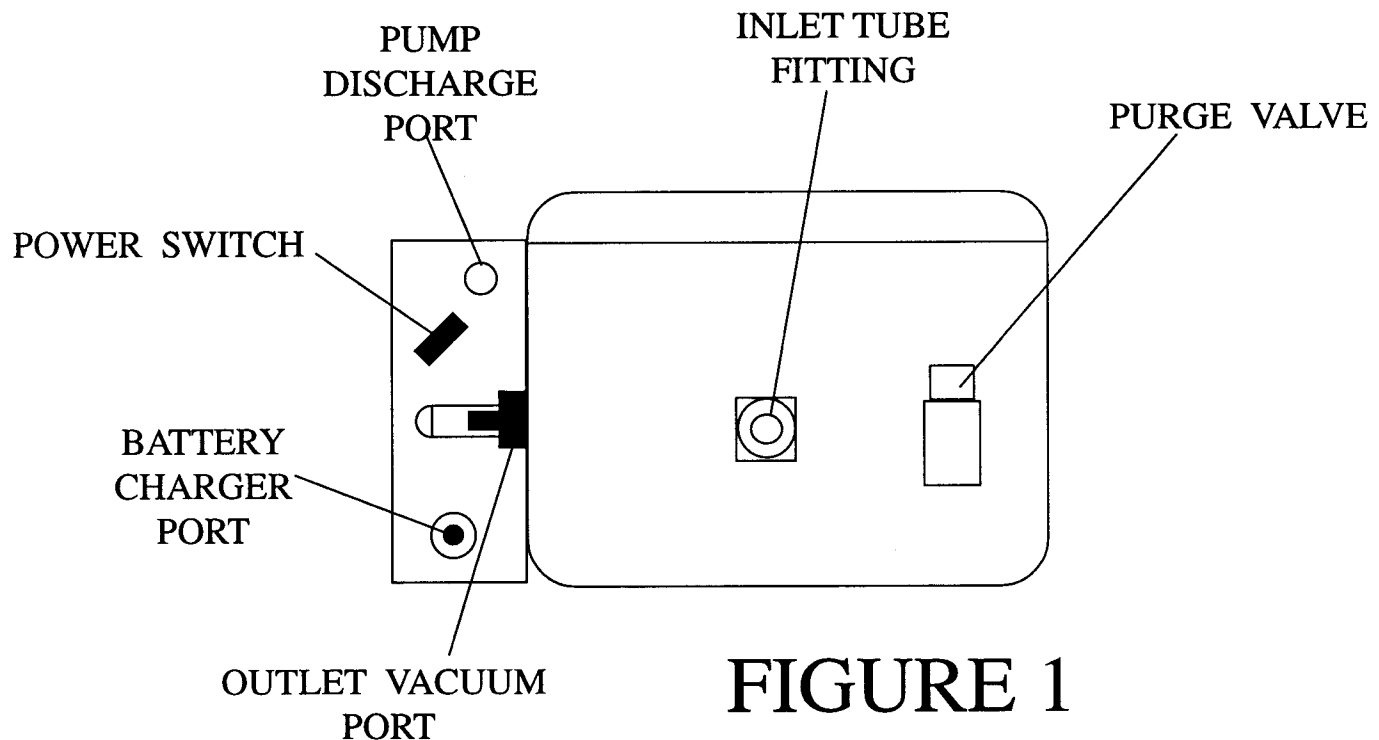
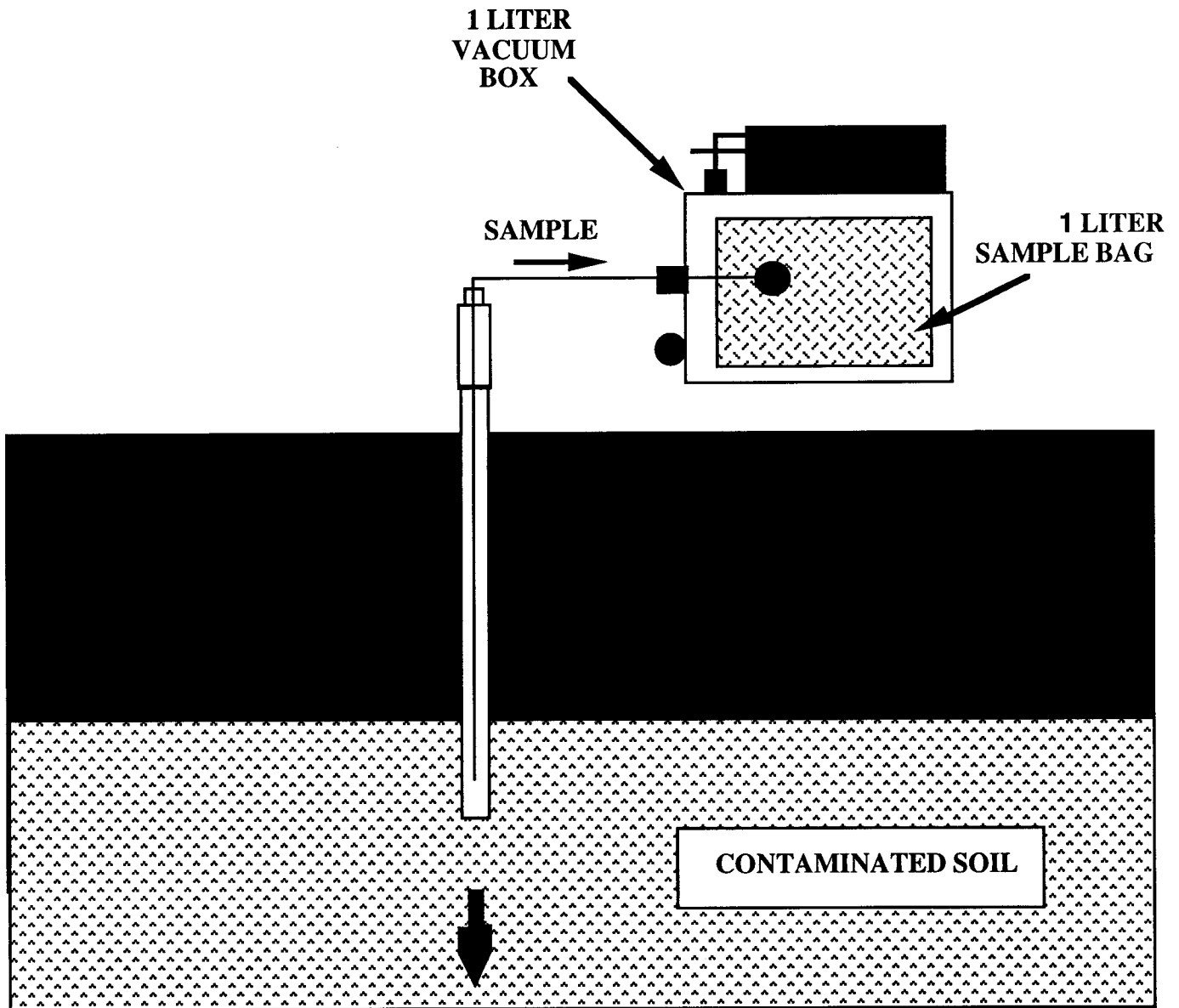


FIGURE 1

# SOIL GAS SAMPLING

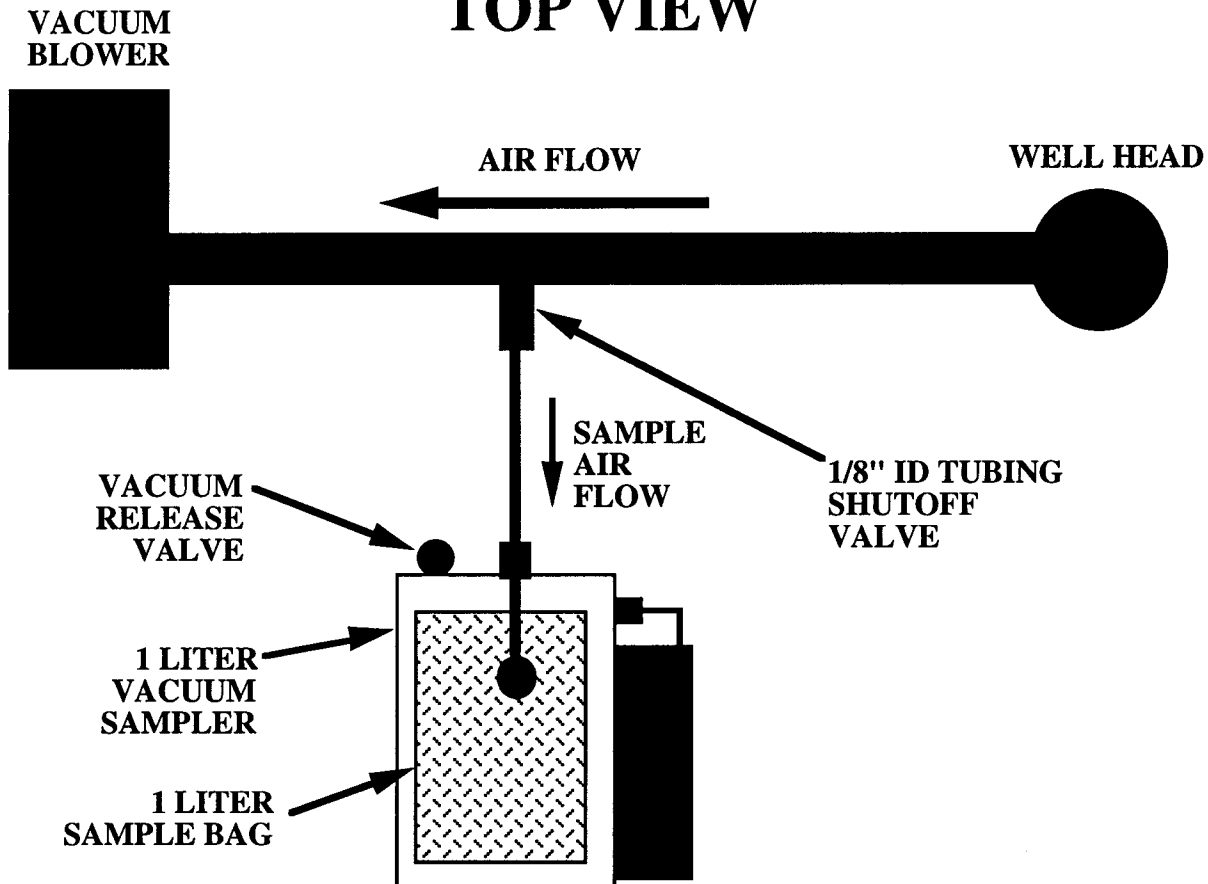


1. ATTACH THE SOIL GAS SAMPLE TUBING (1/8"OD) DIRECTLY ONTO SAMPLE BAG WITH A SHORT 1/4"OD X 1/8"ID FLEXIBLE TUBING
2. TURN ON VACUUM BOX PUMP AND FILL SAMPLE BAG
3. TURN OFF VACUUM BOX PUMP AND REMOVE SAMPLE BAG

**NOTE: EXTERNAL SHUTOFF VALVE ON VACUUM BOX SHOULD BE CLOSED DURING SAMPLING. OPEN TO RELEASE VACUUM BOX LID.**

# VACUUM SAMPLING

## TOP VIEW



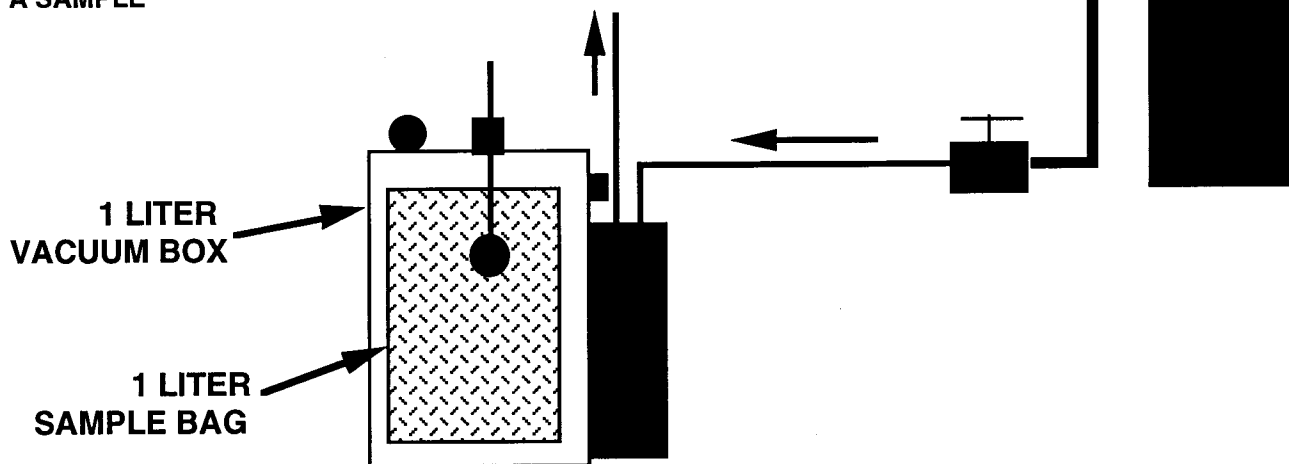
1. HOOK UP VACUUM BOX AS SHOWN
2. TURN ON VACUUM BOX PUMP
3. OPEN VALVE AND FILL SAMPLE BAG
4. CLOSE SAMPLE VALVE
5. TURN OFF VACUUM BOX PUMP
6. OPEN VACUUM RELEASE VALVE
7. REMOVE SAMPLE BAG

**NOTE: EXTERNAL SHUTOFF VALVE ON VACUUM BOX SHOULD BE CLOSED DURING SAMPLING FOR FASTEST SAMPLING RATE.**

# STACK SAMPLING

## PURGING THE DEAD VOLUME IN THE STACK LINE

1. HOOK UP VACUUM BOX AS SHOWN
2. TURN ON VACUUM BOX PUMP
3. OPEN STACK SHUTOFF VALVE FOR ONE MINUTE
4. CLOSE STACK VALVE
5. TURN OFF VACUUM BOX PUMP
6. PREPARE VACUUM BOX FOR TAKING A SAMPLE



## TAKING A STACK SAMPLE

1. HOOK UP VACUUM BOX AS SHOWN
2. TURN ON VACUUM BOX PUMP
3. OPEN STACK SHUTOFF VALVE AND FILL SAMPLE BAG
4. CLOSE STACK VALVE
5. TURN OFF VACUUM BOX PUMP REMOVE SAMPLE BAG

