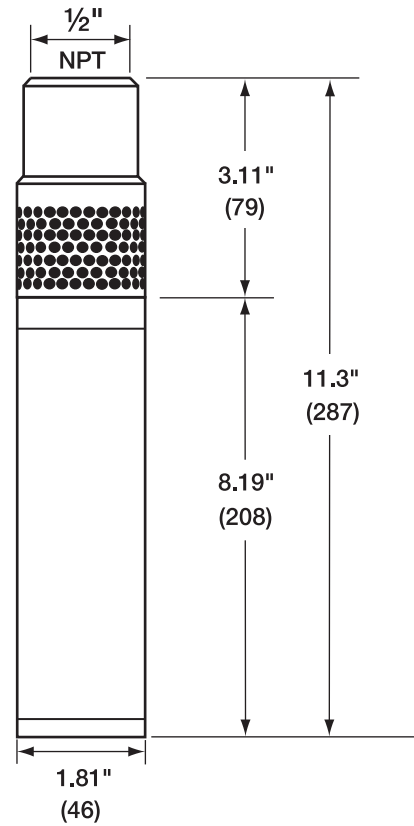


# Grundfos Redi-Flo2® MP1 Technical Data

## SPECIFICATIONS

<b>Motor Type</b>	Water-Jacketed, variable speed submersible
<b>Maximum Fluid Temperature</b>	86°F (30°C)
<b>Minimum Fluid Temperature</b>	34°F (1°C)
<b>Maximum Input Power</b>	1.5 KW (2hp)
<b>Maximum Motor Voltage</b>	3PH x 220 Volts at 400Hz
<b>Maximum Motor Current</b>	5.5 Amps
<b>Discharge Size</b>	½" Female NPT
<b>Flow Range</b>	Continuous/Variable (100ml/min./9 U.S. gpm)
<b>Motor Protection</b>	Thermal overload Thermik Geratebau, Series SY6
<b>Disconnect Temperature</b>	176°F (80°C)
<b>Rate Current</b>	5 Amps
<b>Current Overload</b>	Incorporated into MP1 Converter
<b>Installation</b>	Unit to be installed vertically for submerged operation
<b>Standard Lead Lengths</b>	50, 75, 100, 150, 175, 200, 250, and 300 ft.
<b>Custom Lengths</b>	25-300 feet in 1 foot increments

## DIMENSIONS Inches (mm)



REFERENCE PAGES

## PERFORMANCE

