

Electrical Submersible Sampling Pump

Geotech Reel E-Z® Portable Pumping and Sampling System

The Geotech Reel E-Z® is a compact system designed to provide a convenient way to store and operate a Grundfos® MP1 2" Pump. When used with the Happy Hose!® (cable, tubing, and safety cable bonded together) the system easily installs the pump in the well, locks it in place and allows for easy take up and cleaning without cable entanglement. The roller guide protects the cable from well damage and the Reel E-Z can accommodate both above, and below-grade well applications.

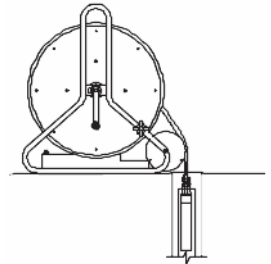
FEATURES

- Lightweight aluminum
- One-person portability
- 250' (76.2m) Happy Hose!® capacity
- Easy decontamination
- Cable guide for Happy Hose!®
- Installs vertically or horizontally
- Locking holster for pump storage
- Removable reel handle
- Can be shipped UPS



APPLICATIONS

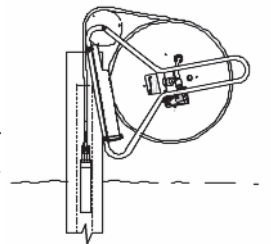
- High and low flow sampling
- Portable sampling
- Portable pumping
- Well purging



HORIZONTAL USE

OPERATION

The Geotech Reel E-Z system is used in portable sampling and pumping applications in small diameter wells as deep as 250 feet (76.2m). The system can be purchased with the optionally installed check valve to prevent back-flow, or with a wheel kit for easier transport. The system can also be installed with only the Happy Cable! (combination electrical conductors and safety wire rope) for customers that want to use the system with various types of tubing.



VERTICAL USE

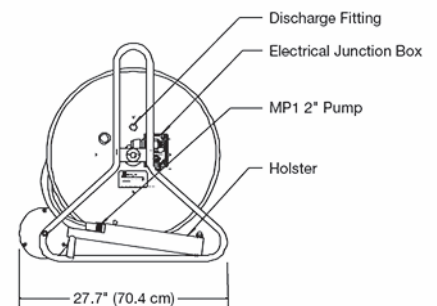
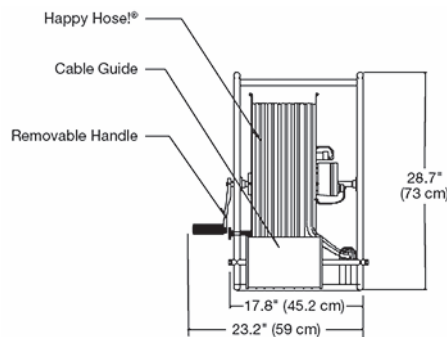
SPECIFICATIONS

Mechanical

Weight	25 lbs. (11.3 kg)
Materials of Construction	Aluminum, PE, 300 Series S.S.
Happy Hose!® Capacity	PVC: 200' (61m) TLPE: 250' (76.2m)
Happy Cable! Capacity	250' (76.2m)
Discharge Fitting	¾" (1.9cm) S.S. standard garden hose thread
Cable Guide	8" (20.32cm) diameter
Sample Hose Length	PVC: 16' (4.9m) TLPE: 8' (2.4m)

Electrical

Electrical Connector	NEMA 6P rating 4-pole quick-connect
Junction Box	NEMA 6P rating
Happy Cable!	
O.D.	7/16" (1.1cm)
Jacket	PVC or PE
Motor Lead	PVC or PE
Converter Cable Length	12' (3.7m)



CALL GEOTECH TODAY (800) 833-7958

Geotech Environmental Equipment, Inc.

2650 East 40th Avenue • Denver, Colorado 80205

(303) 320-4764 • (800) 833-7958 • FAX (303) 322-7242

email: sales@geotechenv.com website: www.geotechenv.com