

Datalogging Water Quality Sensor

Seametrics PT2X-BV Barometric/Vacuum Sensor with Data Logging

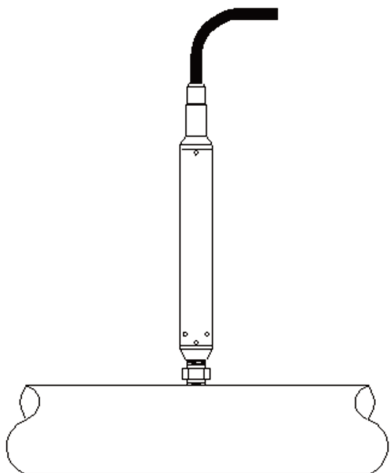
Built on the PT2X Pressure & Temperature Smart Sensor platform, the PT2X-BV is an ideal barometric reference for absolute versions of PT2X pressure sensors.

Storing over 130,000 records of pressure, temperature and time data, this sensor features easy-to-use software and operates on low power – using two AA batteries during normal output or an auxiliary power supply for data-intensive applications.

FEATURES

- Use with absolute pressure sensors – *no desiccant tubes required!*
- Measures and records barometric pressure/vacuum, temperature, and time
- Low power – *field replaceable AA batteries*
- Modbus® RTU (RS485) and SDI-12 interface – *great flexibility*
- Thermally compensated
- ± 0.05% FSO typical accuracy
- 520,000 record non-volatile memory – *no data loss in the event of a power failure*
- Wireless connectivity – *radios and/or cellular*
- Barometric compensation utility for use with absolute pressure sensors
- Free, easy-to-use Aqua4Plus software

NPT INSTALLATION OPTION



APPLICATIONS

- Barometrically compensate absolute pressure sensors for level measurement
- Measure vacuum pressure during vapor extraction pilot testing
- Supplement aquifer test data in leaky or confined conditions

CALL GEOTECH TODAY (800) 833-7958

Geotech Environmental Equipment, Inc.

2650 East 40th Avenue • Denver, Colorado 80205

(303) 320-4764 • **(800) 833-7958** • FAX (303) 322-7242

email: sales@geotechenv.com website: www.geotechenv.com

Datalogging Water Quality Sensor

Seametrics PT2X-BV Barometric/Vacuum Sensor with Data Logging

SPECIFICATIONS

Box Enclosure

Body Material	ABS - IP66/67
Dimensions	Box: 4.3" x 3.1" x 2.5" (10.9 x 7.9 x 6.4 cm) Box and connectors: 4.3" x 3.6" x 2.5" (10.9 x 9.1 x 6.4 cm)
Wire Seal Material	Fluoropolymer and Buna N

Tube & Cable

Body Material	Acetal & 316 stainless or titanium
Dimensions	Cabled: 12.18" x 0.75" diameter (30.9 cm x 1.9 cm) Cableless: 11.93" x 0.75" diameter (30.3 cm x 1.9 cm)
Wire Seal Material	Fluoropolymer and PTFE
Weight	0.8 lb. (0.4 kg)
Cable	Submersible: polyurethane, polyethylene, or ETFE (4 lb./100 ft., 1.8 kg/30 m)
Environmental	IP-68, NEMA 6P
Field Connector	Standard

Temperature

Operating Range	Recommended: -15° to 55°C (5° to 131°F)
Storage Range	Without batteries: -40° to 80°C (-40° to 176°F)

Power

Internal Battery	Two lithium 'AA' batteries - Expected battery life: 18 months at 15 min. polling interval (may vary do to environmental factors)
Auxiliary	12 VDC – Nominal, 6-16 VDC – range

Communication

Modbus	RS485 Modbus® RTU, output=32 bit IEEE floating point
SDI-12	SDI-12 (ver. 1.3) – ASCII

Logging

Memory	4MB – 520,000 records
Logging Types	Variable, user-defined, profiled
Logging Rates	8x/sec. maximum, no minimum
Baud Rates	9600, 19200, 38400
Software	Complimentary Aqua4Plus
Networking	32 available addresses per junction (Address range: 1 to 255)
File Formats	.a4d and .csv

Output

Channels	Temperature	Depth/Level
Element	Digital IC on board	Silicon strain gauge transducer, 316 stainless or Hastelloy
Accuracy	±0.5°C – 0° to 55°C (32° to 131°F) ±2.0°C – below 0°C (32°F)	±0.05% FSO (typical, static) ±0.1% FSO (maximum, static) (B.F.S.L. 20°C)
Resolution	0.1°C	0.0034% FS (typical)
Units	Celsius, Fahrenheit, Kelvin	PSI, FtH ₂ O, inH ₂ O, mmH ₂ O, mH ₂ O, inH ₂ O, cmHg, mmHg, Bars, mBars, kPa
Range	-40° to 80°C (-40° to 176°F)	600 to 1100 millibars
Compensated	–	0° to 40°C (32° to 104°F)

Max. Operating

Pressure	1.1 x full scale
Burst Pressure	2.0 x full scale

Specifications subject to change. Modbus is a registered trademark of Schneider Electric.

Note: Intended for use in atmosphere — not to be submerged.

CALL GEOTECH TODAY (800) 833-7958

Geotech Environmental Equipment, Inc.

2650 East 40th Avenue • Denver, Colorado 80205
(303) 320-4764 • **(800) 833-7958** • FAX (303) 322-7242
email: sales@geotechenv.com website: www.geotechenv.com