

SES Series Customized Control Panels

Simplex Weatherproof Controller with Alarm

Superior quality simplex liquid level controller, automatically maintains pump operation, includes high level alarm warning for a variety of sump, effluent, sewage and water transfer applications.

FEATURES

- Rugged NEMA 4X construction withstands even the most severe weather conditions and prevents corrosion
- Hinged door with lockable stainless steel latch for safe operation indoors and out
- High level alarm circuit includes spring loaded through door mounted silence switch for manual silence of alarm horn
- Through door mounted pump run light
- Top mounted high intensity flashing red light
- Pulsating, corrosion proof alarm horn
- Color coded wiring, screw type terminals and plug in sockets, ensure ease of field servicing
- Field wiring diagram, panel schematic and installation instructions included
- Panel can be wired for a single power feed for pump and control circuit or the control circuit can be wired to a separate power supply to insure alarm integrity in case of a tripped pump breaker
- Auxiliary alarm contacts provided for remote alarm connection
- Entire unit is UL and CUL listed



SES Control Panel

SPECIFICATIONS

- Accepts single or dual power feed
- Hand-Off-Auto (HOA) pump selection switch
- On-off control circuit switch
- Oversized magnetic contactor
- Numbered terminal strip screw type
- NEMA 4X, 30 watt, flashing red light
- NEMA 4X, fiberglass enclosure with gasketed, hinged door and stainless steel hardware
- NEMA 4X, alarm horn - 95db
- Auxiliary alarm contacts

SPECIFICATIONS

Single Phase

- Field adjustable for 115 or 230 V, 60 Hz

Maximum Pump Running Amps	Panel Order No.
20	S10020
27 (3 HP)	SINC27
36 (5 HP)	SINC36

Three Phase

- Field adjustable for 208/230/460/575 V, 60 Hz
- 115V control circuit transformer
- Adjustable motor overload protectors
- **Heaters not required**

Maximum Pump Running Amps	Panel Order No.
1.6 to 2.5	S31625
2.5 to 4.0	S32540
4.0 to 6.3	S34063
6.3 to 10	S36310
10 to 16	S31016
16 to 20	S31620
20 to 25	S32025

Geotech Environmental Equipment, Inc.
 2650 East 40th Avenue • Denver, Colorado 80205
 (303) 320-4764 • **(800) 833-7958** • FAX (303) 322-7242
 email: sales@geotechenv.com website: www.geotechenv.com

SES Series Customized Control Panels

Simplex Weatherproof Controller with Alarm

ADDITIONAL OPTIONS

Code (as required)

- A = Guaranteed pump submergence circuit
- B = Auxiliary alarm contacts - non powered (Standard)
- C = 115V condensation heater
- D = Single phase lightning arrestor
- E = Three phase lightning arrestor
- F = Elapsed time meter (1) - simplex
- H = Seal fail circuit (1) - simplex
- K = Cycle counter - Simplex
- M = High temp. indicator with shutdown - Simplex
- O = Special seal fail and high temp. (1GA and 2GA only) - Simplex

Specify the suffix code desired when ordering:
 Example: CF adds (1) condensation heater and (1) elapsed time meter.

FLOAT SWITCHES

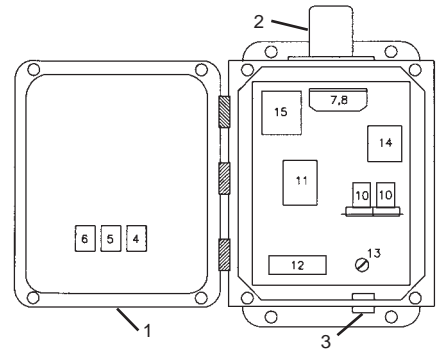
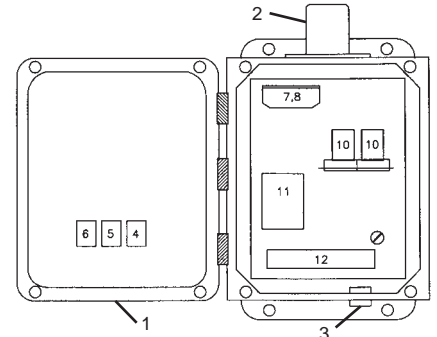
Separate level control switch(es) required.

SINGLE PHASE (repair part no.)

1. NEMA 4X enclosure
2. Flashing alarm light
3. Alarm horn (RB50)
4. Pump run light
5. Alarm silence button
6. Alarm test button
7. Control power on/off switch
8. H-O-A switch
10. Alarm silence / auxiliary relays (RB36)
11. Contactor (RB32)
12. Terminal strip
13. Ground lug

THREE PHASE (repair part no.)

1. NEMA 4X enclosure
2. Flashing alarm light
3. Alarm horn (RB50)
4. Pump run light
5. Alarm silence button
6. Alarm test button
7. Control power on/off switch
8. H-O-A switch
10. Alarm silence relay (RB36)
11. Contactor (RB46)
12. Terminal strip
13. Ground lug
14. Transformer
15. Motor circuit protector (RB52 through 57)



ENCLOSURE DIMENSIONS (in inches)

Single Phase						
A	B	C	D	E	F	G
6.3	11.5	14.3	10.8	5.5	6.0	9.3

Three phase						
A	B	C	D	E	F	G
8.3	13.5	16.3	12.8	5.6	6.1	11.3

Note: Mounting holes are 3/8"

