

Remediation Control Accessories

Geotech Level Control Probes

Geotech Level Control Probes, when used in conjunction with Geotech or other vendor supplied equipment, can aid in facilitating operation and process control in a variety of environmental remediation equipment applications.

FEATURES

- Intrinsically safe voltage design*
- Stainless steel shaft
- Float material designed for use in most hydrocarbon/water applications
- Available in NO/NC options
- Available for harsh environmental applications, call for quote.
- Conductivity probes also available, call for quote.

* **Note:** Intrinsically safe applications require customer supplied intrinsic barriers.

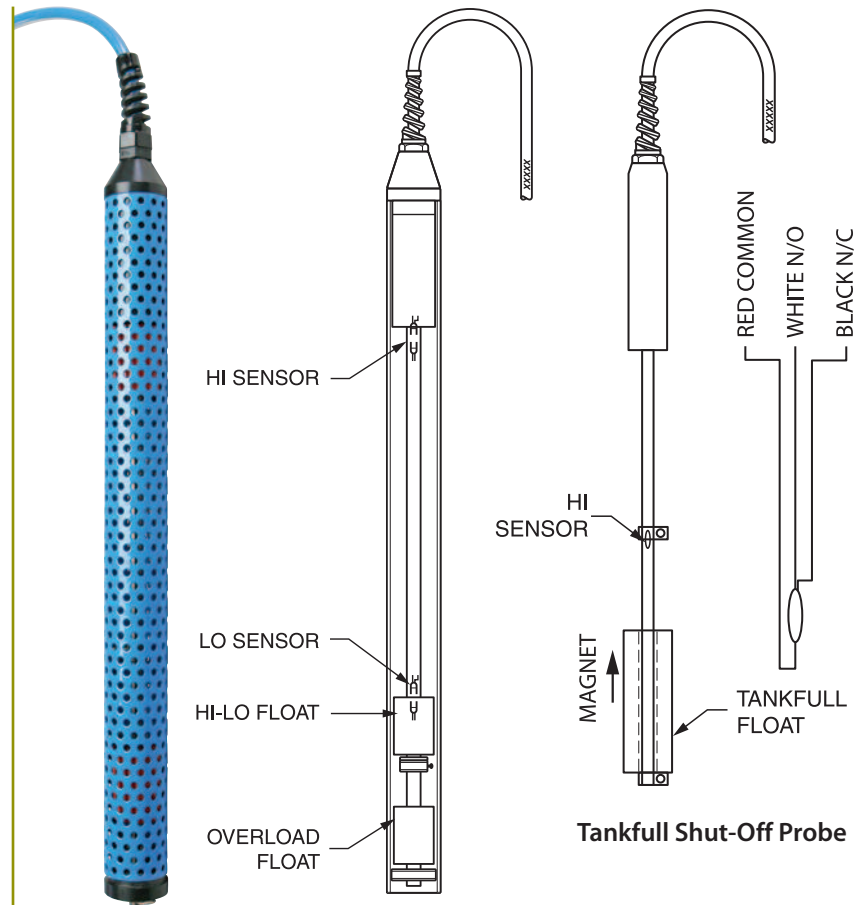
OPERATION

Float activated switch(s) are imbedded in the shaft of each level switch probe. As a float passes over the switch, the switch is activated to change the electrical contact state, thus sending a signal to a customer supplied control panel or device.

APPLICATIONS

Geotech Level Control Probes are designed to meet a variety of applications such as:

- Groundwater Extraction Pumps
- Hydrocarbon Pumps
- Transfer Pumps
- High/Low Sump Conditions
- Tankfull Shut-Off



Water Table Depression Pump
Density Probe

Tankfull Shut-Off Probe

SPECIFICATIONS

Float Material	Urethane
Shaft Material	300 Series Stainless Steel
Switches	Magnetic, Reed
Cable Material	Polyurethane
Power Requirements	5 Volt DC with I.S. Energy Level

CALL GEOTECH TODAY (800) 833-7958

Geotech Environmental Equipment, Inc.

2650 East 40th Avenue • Denver, Colorado 80205

(303) 320-4764 • (800) 833-7958 • FAX (303) 322-7242

email: sales@geotechenv.com website: www.geotechenv.com

Remediation Control Accessories



Geotech Level Control Probes

HOW TO ORDER

Fill out this form indicating the application of use, types of floats, electric contact state (N/O for Normally Open or N/C for Normally Closed) and distance lengths for each float. If you do not need to include a float, indicate N/A (Not Applicable).

Application:

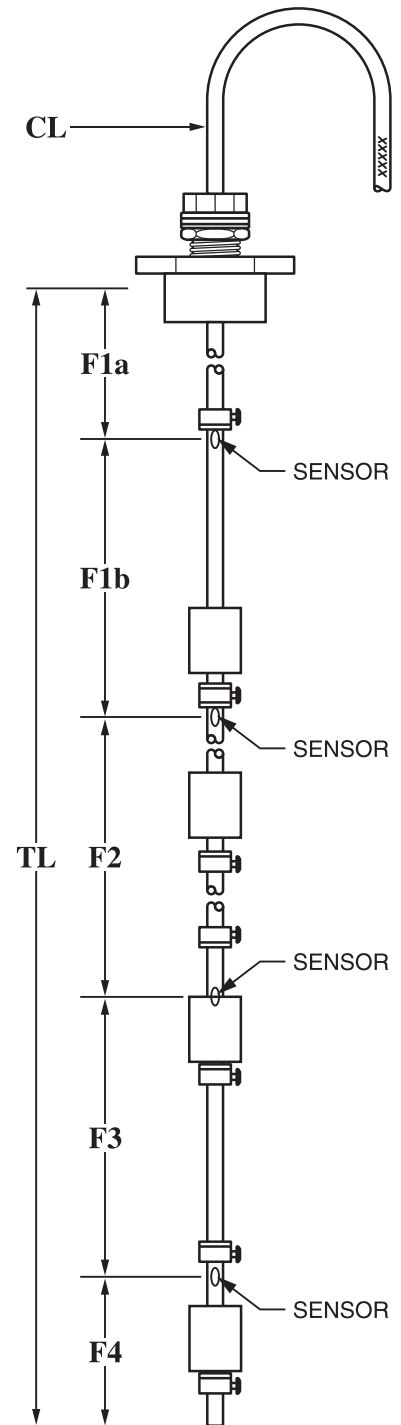
Actual point location and logic

Total Length (TL) in inches _____

Float	Distance	Float Type (water only or all fluids)	Electric State (N/O or N/C)
F1a:	_____	_____	_____
F1b:	_____	_____	_____
F2:	_____	_____	_____
F3:	_____	_____	_____
F4:	_____	_____	_____

Cable Length

CL _____



CALL GEOTECH TODAY (800) 833-7958

Geotech Environmental Equipment, Inc.
 2650 East 40th Avenue • Denver, Colorado 80205
 (303) 320-4764 • **(800) 833-7958** • FAX (303) 322-7242
 email: sales@geotechenv.com website: www.geotechenv.com