

# Seametrics PE202 Magmeters

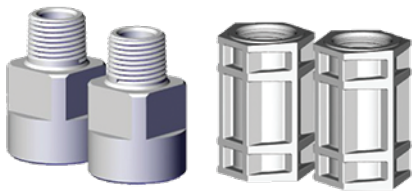
The PE202 Magmeter is designed for measuring fluids in low-flow applications. With no moving parts, the PE202 can handle liquids containing particulates without clogging or jamming. It features a compact design that can be easily installed in small spaces. Made with a PVDF body and PVDF carbon fiber-filled electrode, the PE202 is corrosion resistant and compatible with a wide range of chemicals. Outputs and power are provided through a 20 foot cable with 8-pin female round connector.

## FEATURES

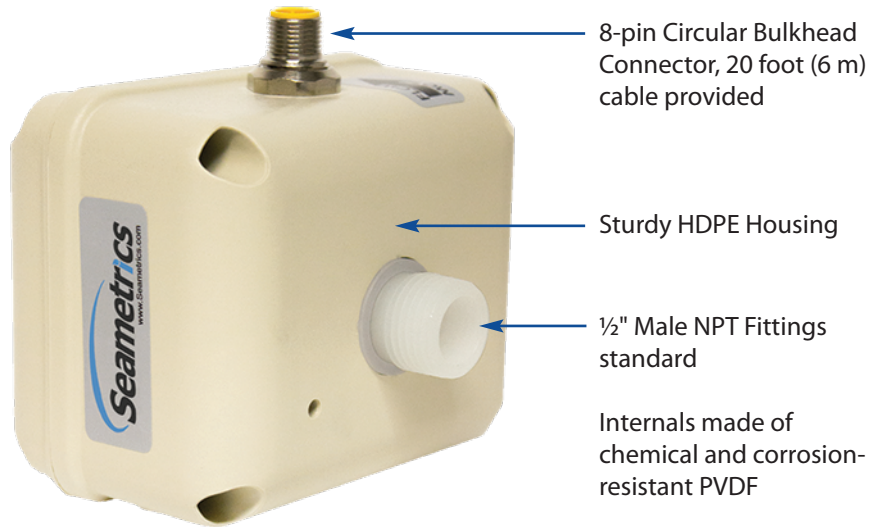
- No moving parts
- Accurate in applications with variations in fluid density and viscosity
- Simple and durable construction
- Pulse or 4-20mA output
- Included mounting bracket for stability
- Operational range from .03 GPM to 20 GPM

## APPLICATIONS

- Chemical injection
- Corrosive environments
- Low flow applications
- Pulsating flows (e.g., metering pump)



Threaded male or female NPT adapters can be purchased separately. (available in PVDF and PP, female NPT available in 1/2" only)  
 Note: 3/8" male NPT fittings are gray colored.



8-pin Circular Bulkhead Connector, 20 foot (6 m) cable provided

Sturdy HDPE Housing

1/2" Male NPT Fittings standard

Internals made of chemical and corrosion-resistant PVDF

## FLOW DISPLAY AND BATCH PROCESSOR

The PE202 pulse output is directly compatible with many different types of controls, including the FT400-Series rate and totalizer displays and FT500 batching flow processors.

The FT400-Series flow computers are microcontroller-based indicators that interface with pulse output flow sensors to compute and display low rate, flow total, and also generate output signals representing flow.

The FT500-Series is a batching flow processor with additional output controls. Units of measure are user selectable and range from milliliters per second to millions of gallons per day.

- Simple Setup
- DC Powered (FT430)
- Loop Powered (FT440)
- Battery Powered (FT450)
- AC/DC (FT500)
- Remote or Flow Sensor Mounted Indicator
- Rugged Plastic Housing
- Non-volatile Memory

## CALL GEOTECH TODAY

**(800) 833-7958**

**Geotech Environmental Equipment, Inc.**

2650 East 40th Avenue • Denver, Colorado 80205

(303) 320-4764 • FAX (303) 322-7242

email: sales@geotechenv.com • website: www.geotechenv.com

## SPECIFICATIONS\*

<b>Pipe Size</b>	3/4", 1/2", 3/8", 1/4"***	
<b>Fittings</b>	1/2" NPT fittings standard in 3/4" or 3/8" flowbody. NPT threaded adapters available for above pipe sizes.	
<b>Materials</b>	Body	PVDF
	Electrodes	PVDF carbon fiber filled
	Ground	PVDF carbon fiber filled
	Housing	HDPE with 25% glass
	Adapters (NPT)	Polypropylene or PVDF
<b>Temperature</b>	Ambient	0° to 130°F (-18° to 54°C)
	Fluid	32° to 200°F (0° to 93°C)
<b>Pressure</b>	150 psi	
<b>Flow Range</b>	-075	20 GPM max. (0.2 GPM cutoff)
	-038	3 GPM max. (0.03 GPM cutoff)
<b>Accuracy</b>	-075	±1% plus ±0.005 GPM of reading across rated range
	-038	±1% plus ±0.002 GPM of reading across rated range
<b>Output Signal</b>	Optoisolated current sinking or current sourcing pulse output: 30 VDC, 5 mA max. Optoisolated 4-20 mA current loop: 7 VDC plus load voltage drop min; 50 VDC max.	
	-075	500 pulses/liter (1892 pulses/gallon)
	-038	1000 pulses/liter (3785 pulses/gallon)
<b>Power</b>	10-15 VDC, 150 mA (linear power supply recommended)	
<b>Conductivity</b>	>20 microSiemens	
<b>Empty Pipe Detection</b>	Hardware/software, conductivity-based	
<b>Environmental</b>	NEMA 4X standard; IP66 splashproof standard	

\*Specifications subject to change.

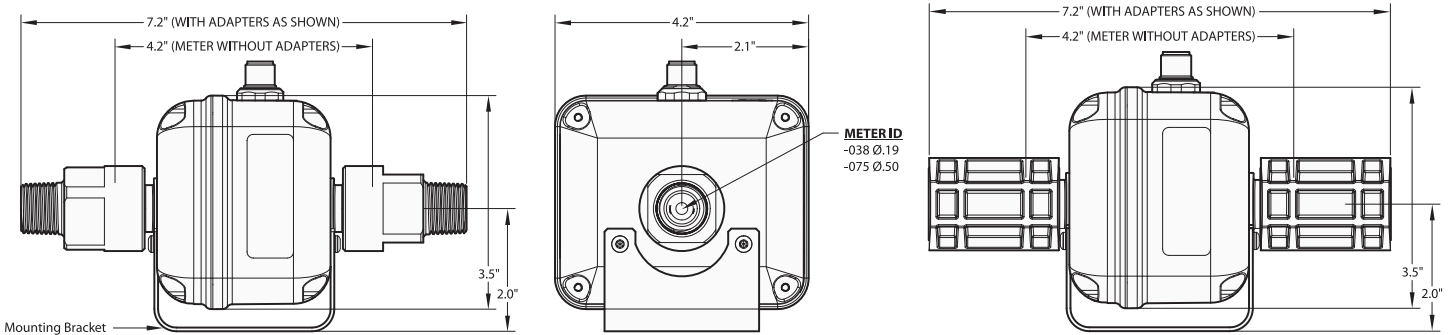
\*\*Requires adaptors

**NOTE:** Consult factory for applications flowing sodium hypochlorite, sodium chlorite, sodium chlorate.

For applications with the listed chemicals, the following conditions apply:

- Max. Concentration 15%/ Max. Temperature 100°F
- Flow is greater than 20% of max. for accurate reading

## DIMENSIONS



**CALL GEOTECH TODAY (800) 833-7958**

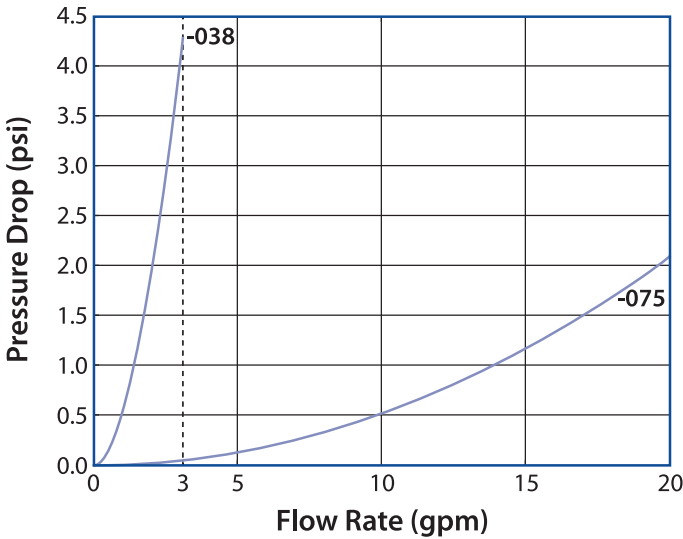
**Geotech Environmental Equipment, Inc.**

2650 East 40th Avenue • Denver, Colorado 80205

(303) 320-4764 • FAX (303) 322-7242

email: sales@geotechenv.com • website: www.geotechenv.com

## PRESSURE DROP CURVE



PE202-075 with 3/4" adapters.

PE202-038 with 3/8" adapters.

Actual curve dependant on pipe size/fittings

## HOW TO ORDER

Model	Size	Fittings
PE202	3/4" = -075	Meter comes standard with 1/2 - 14 MNPT Fittings
	3/8" = -038	

### Accessories

Rate and Total Indicator = FT430

Rate and Total Indicator = FT440

Batch Flow Processor = FT520

Single 12 VDC Regulated Power Supply = PC12

Dual 12-24 VDC Regulated Power Supply = PC42

### Adapter Options

103411	PE202 PVDF Adapter Kit 1/2" FNPT
103412	PE202 PVDF Adapter Kit 1/4" MNPT
103413	PE202 PP Adapter Kit 1/4" MNPT
103414	PE202 PVDF Adapter Kit 3/8" MNPT
103415	PE202 PP Adapter Kit 3/8" MNPT
103416	PE202 PVDF Adapter Kit 1/2" MNPT
103417	PE202 PP Adapter Kit 1/2" MNPT
103418	PE202 PVDF Adapter Kit 3/4" MNPT
103419	PE202 PP Adapter Kit 3/4" MNPT

**CALL GEOTECH TODAY**

**(800) 833-7958**

**Geotech Environmental Equipment, Inc.**

2650 East 40th Avenue • Denver, Colorado 80205

(303) 320-4764 • FAX (303) 322-7242

email: sales@geotechenv.com • website: www.geotechenv.com