

Seametrics S-Series Low Flow Meters

SPT and SPX low flow meters are an economical choice for measuring fluid flow rates. These versatile impeller flowmeters are available in multiple nominal female NPT thread sizes. They employ jewel bearings and Kynar rotor with tungsten carbide shaft to allow for very low flow rates and superior life expectancy.

FEATURES

- Accurate at low flows
- Simple and durable
- Broad chemical compatibility
- Visual Flow Monitoring (SPX only)
- Thread – in-field replaceable sensor

SPX

The SPX, with a body of polypropylene, is an economical choice for metering water or fluids with low corrosive properties.

SPT

The SPT offers greater chemical resistance with a Teflon® body and cover, Teflon®-coated Viton® O-ring, and standard Kynar®/ceramic rotor assembly. The pulse output of these meters are compatible with many different types of controls, including the FT430 and FT440 for flow rate and total flow indication.



Field Replaceable Sensor

SPX

- 18' Sensor Cable
- Thread-in Sensor, Field Replaceable, 6–24 VDC Pulse
- Standard Acrylic Top with Clear Removable Lens Assembly (optional polypropylene top without clear lens)
- Hex Screws
- Female NPT Ports
- Polypropylene Body

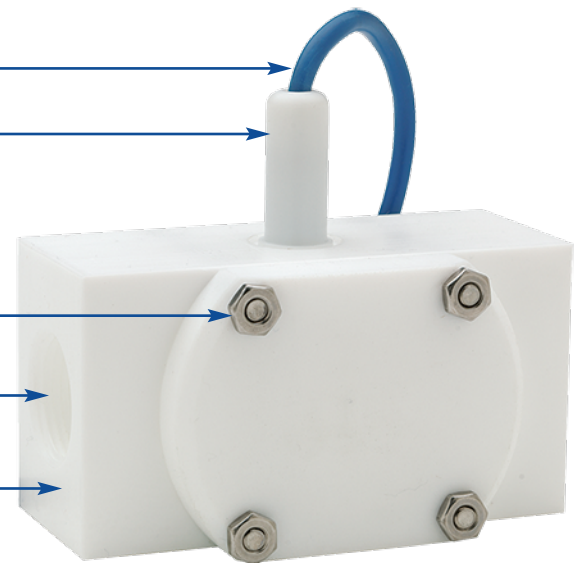


Internal

- Jewel Bearings – Ruby Ring and Ball
- Kynar®/Tungsten Carbide Rotor Assembly (Kynar®/Ceramic or Kynar®/Silicon Carbide optional)
- EPDM O-Ring (Viton® or Teflon®-coated Viton® optional)

SPT

- 18' Sensor Cable
- Thread-in Sensor, Field Replaceable, 6–24 VDC Pulse
- Screws with Hex Nuts
- Female NPT Ports
- Teflon® Body and Top



Internal

- Jewel Bearings – Ruby Ring and Ball
- Kynar®/Ceramic Rotor Assembly (Kynar®/Silicon Carbide optional)
- Teflon®-coated Viton® O-Ring (Viton® or EPDM optional)

CALL GEOTECH TODAY (800) 833-7958

Geotech Environmental Equipment, Inc.

2650 East 40th Avenue • Denver, Colorado 80205

(303) 320-4764 • FAX (303) 322-7242

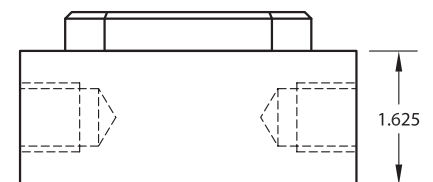
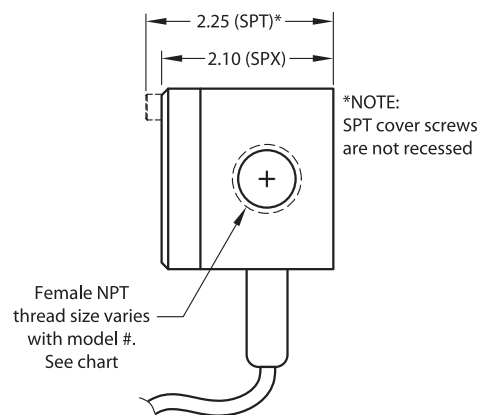
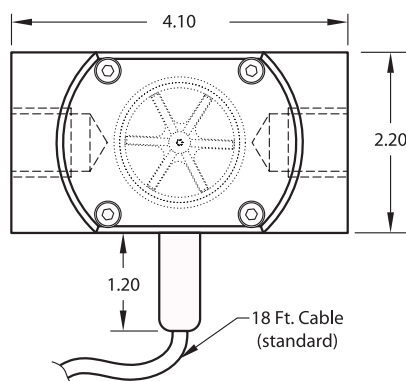
email: sales@geotechenv.com • website: www.geotechenv.com

Seametrics S-Series Low Flow Meters

SPECIFICATIONS

		SPX	SPT
Connection Ports		3/8", 1/2", 3/4", 1" – Female NPT thread	3/8", 1/2", 3/4", 1" – Female NPT thread
Sensor Cable		18 ft. (6 m) standard – maximum cable run 2000 ft. (607 m)	18 ft. (6 m) standard – maximum cable run 2000 ft. (607 m)
Materials	Body	Polypropylene	TFE Teflon®
	Rotor	PVDF (Kynar®) – 2 magnet (6 magnet high resolution optional)	PVDF (Kynar®) – 2 magnet (6 magnet high resolution optional)
	Shaft	Nickel tungsten carbide (ceramic or silicon carbide optional)	Zirconia ceramic (silicon carbide optional)
	O-Ring	EDPM (Viton® or Teflon®-coated Viton® optional)	Teflon®-coated Viton® (Viton® or EDPM optional)
	Bearings	Ruby ring and ball	Ruby ring and ball
	Cover	Acrylic with clear lens (polypropylene without clear lens optional)	TFE Teflon®
Maximum Temperature		160°F (70°C)	180°F (82°C)
Maximum Pressure		150 psi (10 bar)	150 psi (10 bar)
Accuracy		±1% of full scale	±1% of full scale
Power	Standard	6-36 VDC, 2 mA min.	6-36 VDC, 2 mA min.
	Micropower	3.1-16 VDC (for use with FT450 and DL76 only)	3.1-16 VDC (for use with FT450 and DL76 only)
Outputs		Current sinking pulse, 6–24 VDC	Current sinking pulse, 6-24 VDC

DIMENSIONS



Model #	NPT Thread Size
-038	3/8"
-050	1/2"
-075	3/4"
-100	1"

CALL GEOTECH TODAY

(800) 833-7958

Geotech Environmental Equipment, Inc.

2650 East 40th Avenue • Denver, Colorado 80205

(303) 320-4764 • FAX (303) 322-7242

email: sales@geotechenv.com • website: www.geotechenv.com

Seametrics S-Series Low Flow Meters

HOW TO ORDER

Model	Size	Options SPX	SPT
SPX = Polypro/Acrylic SPT = TFE Teflon®	-038 = 3/8" (0.07–5 gpm) -050 = 1/2" (0.1–10 gpm) -075 = 3/4" (0.2–20 gpm) -100 = 1" (0.5–40 gpm)	-01 = Ceramic shaft -04 = Micropower pickup (for use with FT450 or DL76 only) -06 = Standard power, LMI 4-pin connector -07 = Standard power, Seametrics control connector -12 = Polypro cover -13 = High resolution rotor -25 = Teflon®-coated Viton® o-ring -60 = Viton® o-ring -68 = Silicon carbide shaft -70 = SAE threads -106 = Roytronic® Series A Pump 5-pin connector -116 = BSP threads	-04 = Micropower pickup (for use with FT450 or DL76 only) -06 = Standard power, LMI 4-pin connector -07 = Standard power, Seametrics control connector -13 = High resolution rotor -60 = Viton® o-ring -68 = Silicon carbide shaft -69 = EPDM o-ring -70 = SAE threads -106 = Roytronic® Series A Pump 5-pin connector -117 = BSP threads

Accessories

FT430 = Rate and Total Indicator, DC powered
 FT440 = Rate and Total Indicator, loop powered
 FT450 = Rate and Total Indicator, battery powered
 AO55 = Blind Analog Transmitter (4-20 mA)
 FT520 = Batch Flow Processor

DL76 = Data Logger
 PC3 = Plug-in Power Converter, 100–115 VAC, 24 VDC
 PC12 = DIN or Wall Mount Power Converter, 100–115 VAC, 24 VDC
 PD10 = Pulse Divider
 PS40 = Pulse Splitter

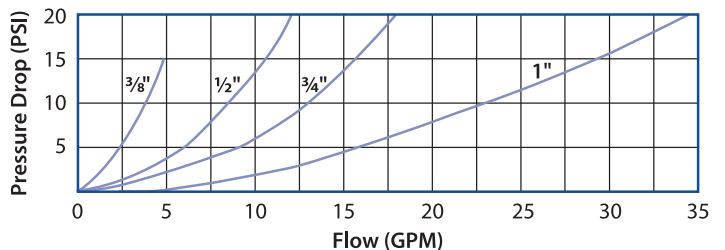
Kynar is a registered trademark of Arkema, Inc., Roytronic is a registered trademark of Milton Roy Company, Teflon and Viton are registered trademarks of DuPont Corporation.

FLOW RANGE

Model #	K-Factor* (pulses/gal)		Gal/Min.	Liter/Min.
	SPT	SPX		
-038	1394	1417	0.07–5	0.27–18.9
-050	634	658	0.1–10	0.38–37.9
-075	476	468	0.2–20	0.75–75
-100	250	254	0.5–40	1.9–150

*Nominal K-factors (based on averages) for standard 2-magnet SPT and SPX. High resolution (6-magnet) K-factors are approximately tripled.

PRESSURE DROP CURVES



CALL GEOTECH TODAY (800) 833-7958

Geotech Environmental Equipment, Inc.

2650 East 40th Avenue • Denver, Colorado 80205
 (303) 320-4764 • FAX (303) 322-7242
 email: sales@geotechenv.com • website: www.geotechenv.com